

## SPECIFICATIONS

### PHYSICAL

- Yoke mounted electronic ballast
- Rugged die-cast aluminium construction
- Tool free access to the reflector and lens
- Sealed reflector housing
- Reflector temperature control through integral heat sink fins
- Gel frame holders with two accessory slots
- Top-mounted, gel-frame retainer
- Steel yoke with two mounting positions
- Positive locking yoke clutch
- CE compliant

### ELECTRICAL

- 150W electronic ballast (yoke mounted)
- Less than 14A inrush current, lasts less than one AC cycle (16.7mS)
  - Select breakers that meet or exceed the in-rush and ampacity requirement
- Less than 10% Harmonic distortion
- Greater than 95% Power Factor
- 90% Ballast Efficiency
- Power factor > 95%
- 230V Ballast:
  - 230V±10%, 50 - 60Hz
  - 0.74A operating current

### OPTICAL

- Modified parabolic and multifaceted reflector
- Computer designed reflector facets molded directly into heat sink casting, finished with an enhanced aluminium deposition process, and polished for maximum reflectance

### LENSES

- Four heat resistant, molded borosilicate glass lenses supplied with each unit: Very Narrow Spot (VNSP), Narrow Spot (NSP), Medium Flood (MFL) and Wide Flood (WFL).
- Round beam for VNSP and NSP, oblong beam shape for MFL and WFL
- Optional Extra Wide Flood lens (XWFL) also available
- Tool free lens replacement
- Thermally insulated lens ring

## SPECIFICATIONS

### LAMP

- 150W Ceramic metal halide
- ETC Source Four HID PAR is shipped with a 150W Philips MasterColor® CDM lamp
- 3000°K colour temperature
  - 12,000 hrs. lamp life
  - Colour Rendering Index (CRI) - 85
- Optional 150W Philips MasterColor CDM 4,200°K colour temperature (96 CRI) lamp available

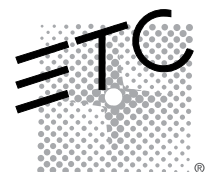
## ORDERING INFORMATION

### Source Four CE 150W HID PAR

PART NO.	DESCRIPTION
7061A1235-0X	Source Four CE HID150W PAR (black)
7061A1235-1X	Source Four CE HID150W PAR (white)
7061A1235-5X	Source Four CE HID150W PAR (silver grey)

ETC Source Four 150W HID PARs are supplied with a Philips CDM MasterColor 3000K, 150W ceramic metal halide lamp, 4-lens set: VNSP, NSP, MFL, WFL; colour frame and 1.8m l cable with flying leads as standard.

(See back page for Source Four HID PAR Accessories)



PHOTOMETRICS

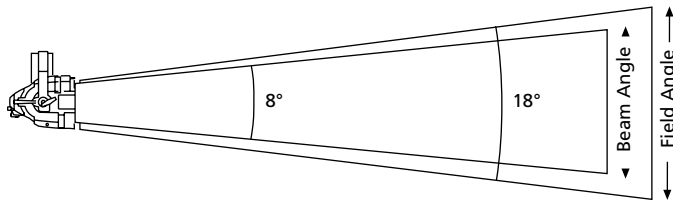
Photometric data below is measured with a Philips CDM MasterColor 150W (3000K) ceramic metal halide lamp. To convert data when using any other HID lamps, use the lumen or candela multiplying factors (Lm MF or Cd MF) for that specific lamp. These multiplying factors are listed in the Lamps table in this datasheet. For lumen data, multiply by the Lm MF. For candela or footcandle data, multiply by the Cd MF.

Source Four 150W HID PAR with VNSP lens

Degree	Candela	Field Lumens	Beam Lumens	Efficiency	Lumens per watt
VNSP	214,058	5,332	2,236	38%	35.5

For Field diameter at any distance, multiply distance by 0.32

For Beam diameter at any distance, multiply distance by 0.14



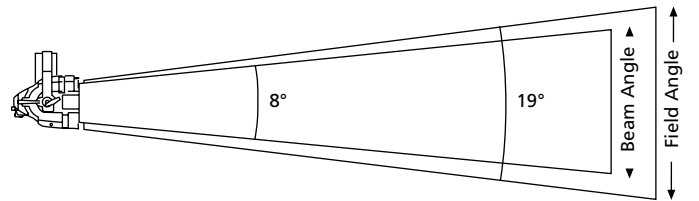
Throw Distance (d)	7.6m	12.2m	16.8m	19.8m
Field Diameter	8.0' 2.4m	12.8' 3.9m	17.6' 5.4m	20.8' 6.3m
Illuminance (fc)	342	134	71	51
Illuminance (lux)	3,678	1,440	762	545

Source Four 150W HID PAR with NSP lens

Degree	Candela	Field Lumens	Beam Lumens	Efficiency	Lumens per watt
NSP	192,790	5,231	2,227	37%	34.9

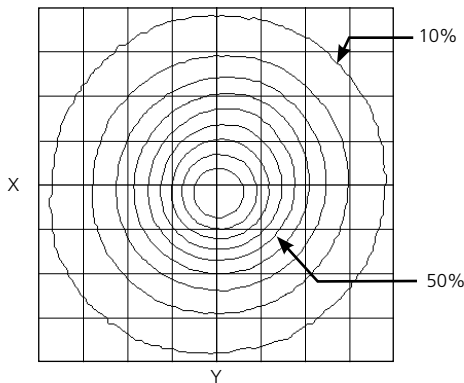
For Field diameter at any distance, multiply distance by 0.33

For Beam diameter at any distance, multiply distance by 0.15

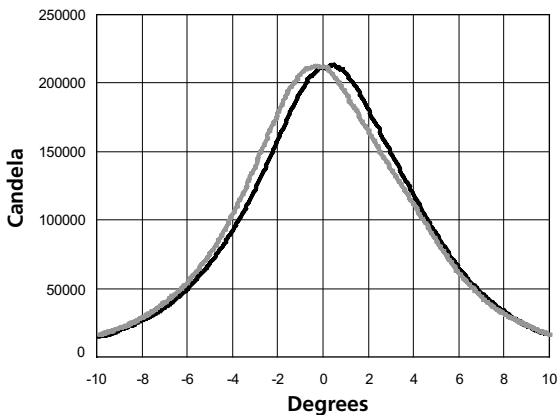


Throw Distance (d)	25'	40'	55'	65'
Field Diameter	7.6m 8.3' 2.5m	12.2m 13.3' 4.0m	16.8m 18.3' 5.6m	19.8m 21.6' 6.6m
Illuminance (fc)	308	120	64	46
Illuminance (lux)	3,320	1,297	686	491

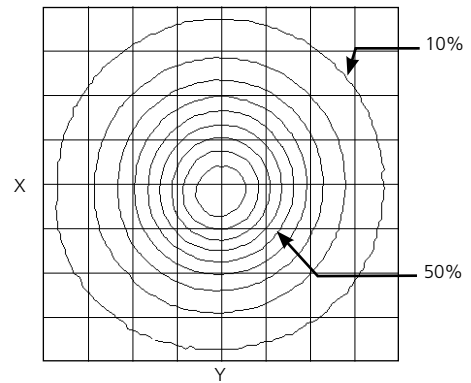
Iso-Illuminance Diagram (Flat Surface Distribution)



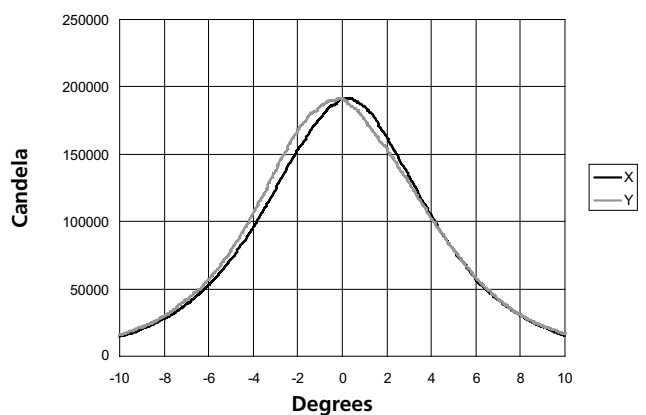
Candela Plot



Iso-Illuminance Diagram (Flat Surface Distribution)



Candela Plot



Metric Conversions: For Meters multiply feet by .3048  
For Lux multiply footcandles by 10.76

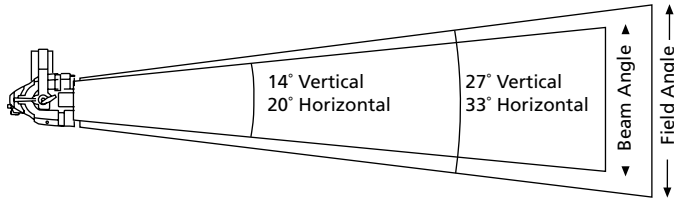
PHOTOMETRICS

Source Four 150W HID PAR with MFL lens

Degree	Candela	Field Lumens	Beam Lumens	Efficiency	Lumens per watt
MFL	70,748	5,861	3,135	42%	39.1

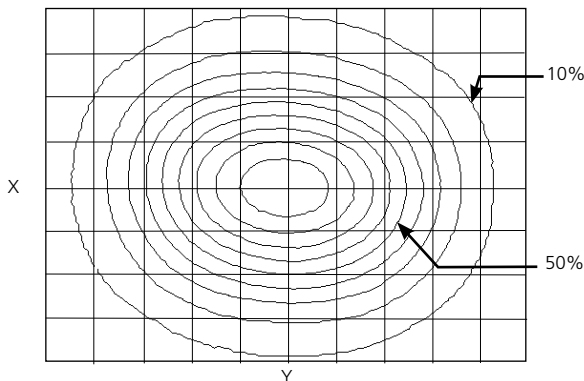
For Field diameter at any distance, multiply distance by 0.48V / .59H

For Beam diameter at any distance, multiply distance by 0.24V / .34H

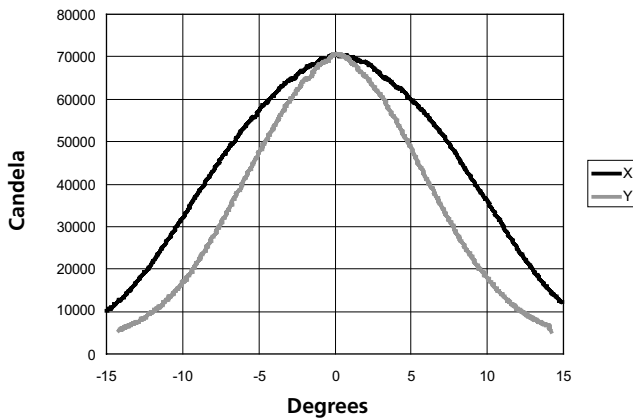


Throw Distance (d)	15'	20'	30'	40'
	4.6m	6.1m	9.1m	12.2m
Field Diameter (vertical)	7.2'	9.6'	14.4'	19.1'
	2.2m	2.9m	4.4m	5.8m
Illuminance (fc)	314	177	79	44
Illuminance (lux)	3,385	1,904	846	476

Iso-Illuminance Diagram (Flat Surface Distribution)



Candela Plot

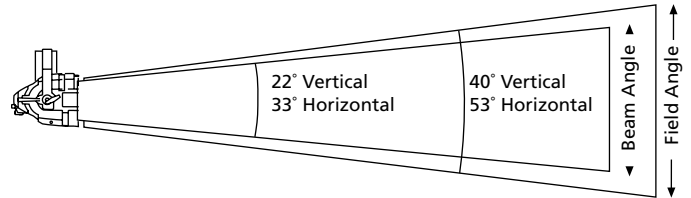


Source Four 150W HID PAR with WFL lens

Degree	Candela	Field Lumens	Beam Lumens	Efficiency	Lumens per watt
WFL	25,440	5,634	3,341	40%	37.6

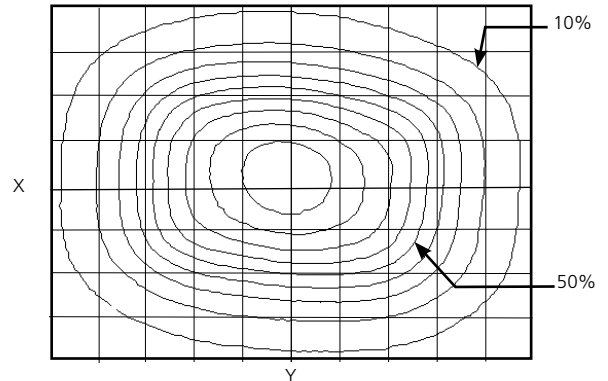
For Field diameter at any distance, multiply distance by 0.72V / 1.00H

For Beam diameter at any distance, multiply distance by 0.39V / 0.60H

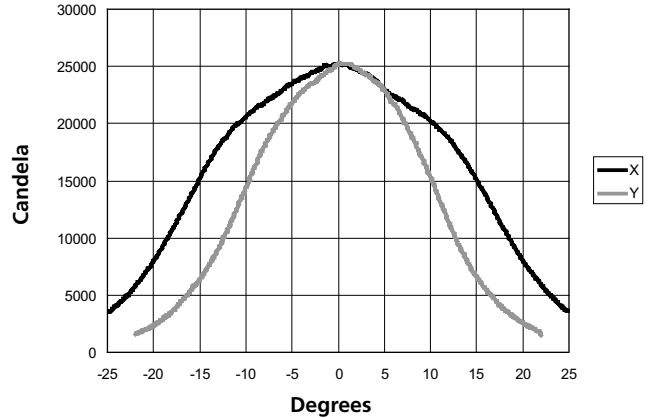


Throw Distance (d)	8'	13'	18'	23'
	2.4m	4.0m	5.5m	7.0m
Field Diameter (vertical)	5.8'	9.4'	13.0'	16.6'
	1.8m	2.9m	4.0m	5.1m
Illuminance (fc)	397	151	79	48
Illuminance (lux)	4,277	1,620	845	518

Iso-Illuminance Diagram (Flat Surface Distribution)



Candela Plot



Complete IES photometry data files (LM-63-02 format) may be downloaded from the ETC website.

Go to <http://www.etconnect.com/downloads.asp>

## HID PAR Series

## L A M P S

To determine Candela (Cd) or Lumens (Lm) for other HID lamps, multiply the Candela or Lumen value by the appropriate multiplying factor (CdMF or LmMF) shown for that lamp in the table below.

ETC Part #	Lamp Code	Watts	Volts	CRI	Initial Lumens	Colour Temp. K	Average Rated Life	All Lenses Cd MF	All Lenses Lm MF
RT157	CDM 150/T6/830**	150	96	85	14,000	3000	12,000	1.0	1.0
RT158	CDM 150/T6/942	150	90	96	12,700	4200	12,000	.91	.91

Source Four 150W HID PAR is rated for 150W maximum.

\*\*Photometric data was prepared using a production fixture and the Prometric CCD measurement system. Fixture tested with calibrated lamp at rated voltage. All data normalized to nominal lamp lumens in accordance with IES LM-73-04. Testing performed at ETC West, Hollywood, CA. All other multiplying factors extrapolated from primary test data.

For links to photometry file downloads (IES LM-63-02 format) go to [www.etcconnect.com](http://www.etcconnect.com)

## OPERATING CURRENT INFORMATION AND BREAKER GUIDELINES

BALLAST WATTAGE	RUN CURRENT	RECOMMENDED 15A BREAKER LOAD
150W	0.74A @ 230V	Up to 9 units

## ORDERING INFORMATION

Continued from front page...

## Source Four HID PAR Accessories

PART NO.	DESCRIPTION
7061A3007	Colour frame, 190mm, Black (included)
7061A1042	Extra Wide Flood lens Kit (optional)
PSF1022	Top hat, 76mm tube, Black
PSF1023	Top hat, 153mm tube, Black
PSF1027	Half hat, 153mm tube, Black
PSF1031	Cross baffle top hat, Black
PSF1035	Concentric ring top hat, Black
PSF1030	Gel extender, 76mm tube, Black
PSF1029	Gel extender, 153mm tube, Black
PSF1095	Barndoor, EU short, Black
PSF1019	Barndoor, w. colour extender, Black
PSF1028	Egg crate louvre, Black

Note: For white colour, use extension -1 and for silver grey extension -5.

White and silver grey barndoors are shipping with leaves same colour inside unless ordered with custom black painting.

Source Four products are protected by one or more of the following patents:

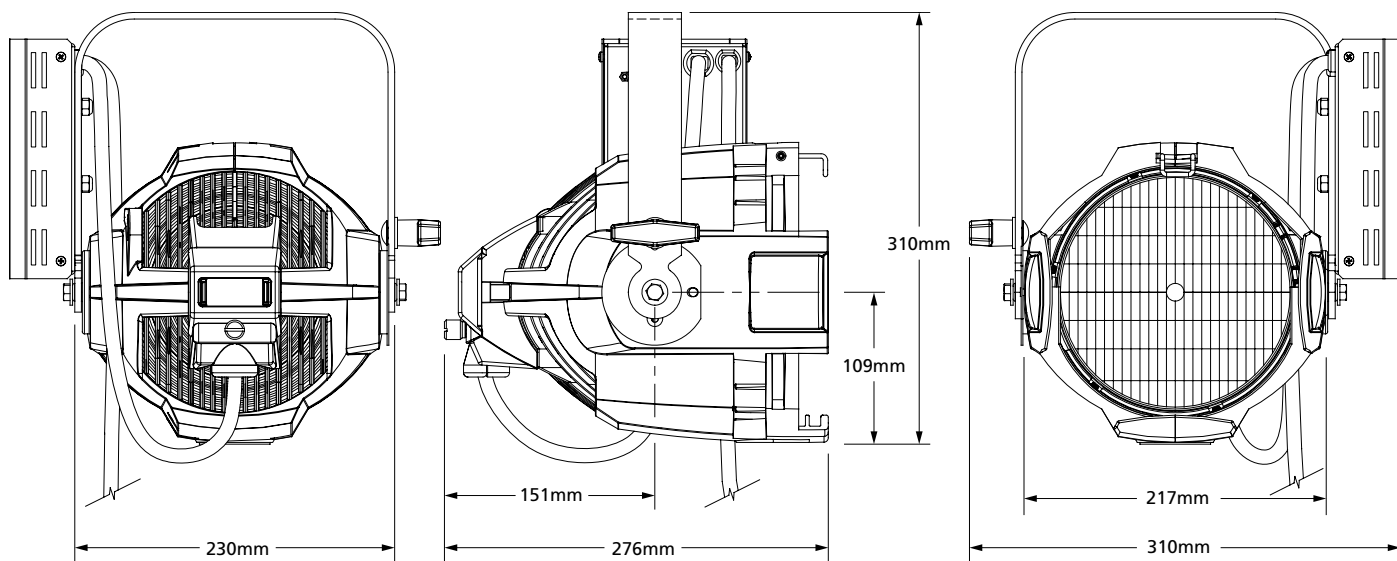
U.S.	USRE36,3316, US5,345,371, US6,092,914 and US5,775,799
U.K.	GB0592589, GB0673488, 99930527.9*
Germany	DE0592589, GB0673488, 99930527.9*
Japan	JP2,501,772

\* European patent application number

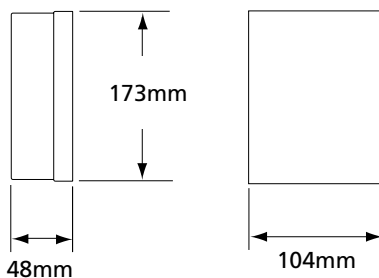
PHYSICAL

Source Four 150W HID PAR Weights\*

MODEL	WEIGHT	SHIPPING WEIGHT
	kgs	kgs
HID-PAR-150	4.7	7.1



Ballast Dimensions (Ballast may vary)



Corporate Headquarters • 3031 Pleasant View Rd, PO Box 620979, Middleton WI 53562 0979 USA • Tel +1 608 831 4116 • Fax +1 608 836 1736  
 London, UK • Unit 26-28, Victoria Industrial Estate, Victoria Road, London W3 6UU, UK • Tel +44 (0) 20 8896 1000 • Fax +44 (0) 20 8896 2000  
 Rome, IT • Via Pieve Torina, 48, 00156 Rome, Italy • Tel +39 (06) 32 111 683 • Fax +44 (0)20 8752 8486  
 Holzkirchen, DE • Ohmstrasse 3, 83607 Holzkirchen, Germany • Tel +49 (80 24) 47 00-0 • Fax +49 (80 24) 47 00-3 00  
 Hong Kong • Room 1801, 18/F, Tower 1 Phase 1, Enterprise Square, 9 Sheung Yuet Road, Kowloon Bay, Kowloon, Hong Kong • Tel +852 2799 1220 • Fax +852 2799 9325  
 Web • www.etconnect.com • Copyright©2015 ETC. All Rights Reserved. All product information and specifications subject to change. 7061L1010-GB Rev. A 01/2015