

Profile Spotlight Series



Type(s)

Project

Date

Notes

SPECIFICATIONS

The Source Four LED Fresnel adapter uses all the power and beauty of the Source Four LED light engine to create an astounding beam light suitable for any stage or studio. With ETC's unique interface, you can quickly turn your Source Four LED or ColorSource Spot into a powerful, controllable Fresnel. With the addition of this accessory, your Source Four LED will always be the right fixture for the job.

PHYSICAL

- Rugged, die-cast, aluminum construction
- Compatible with all Source Four LED and ColorSource Spot engines
 - *Not for use with HPL Source Four fixtures*
- Compatible with ETL and CE fixtures
- Quick and easy operation
- Compact optics
- Single-handed accessory-slot access
- Simple setup
- Available in black and white

OPTICAL

- Bright, smooth washlight
- 15-50 degree zoom
- Barn-door beam shaping
- Heat- and impact-resistant polycarbonate lenses

ORDERING INFORMATION

Source Four LED Fresnel

MODEL	DESCRIPTION	PART NUMBER
S4LEDFRES	Source Four LED Fresnel Adapter (black)	7460A2016
S4LEDFRES-1	Source Four LED Fresnel Adapter (white)	7460A2016-1

For a complete fixture, order the Source Four LED fixture body in addition to the Fresnel adapter.

Accessories

MODEL	DESCRIPTION	PART NUMBER
400BD	Barn Door	PSF1019
400PTH3	Top hat, 76 mm (3 in)	PSF1022
400PTH6	Top hat, 152 mm (6 in)	PSF1023
400PHH	Half hat	PSF1027



PHOTOMETRICS

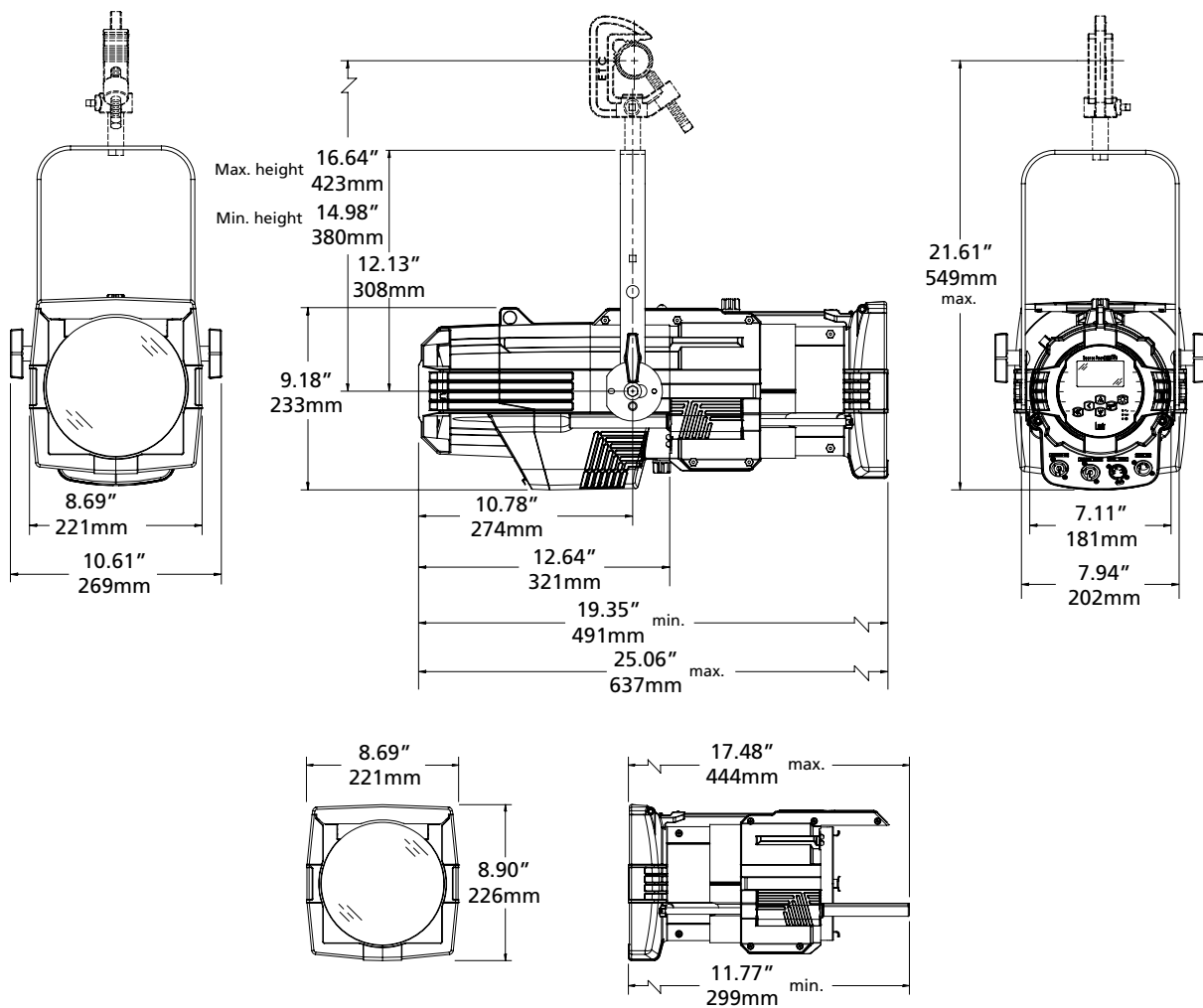
For photometry data, please view the Source Four LED Photometry Guide, which can be found at www.etconnect.com.

PHYSICAL

Source Four LED Fresnel Weights

MODEL	WEIGHT		SHIPPING WEIGHT	
	lb	kg	lb	kg
Source Four LED Fresnel Adapter	9.2	4.2	10.8	4.9

*Weight measurements are for the adapter only.



Corporate Headquarters • Middleton, WI USA
 Global Offices • London, UK • Rome, IT • Holzkirchen, DE • Paris, FR • Hong Kong • Dubai, UAE • Singapore • New York, NY • Orlando, FL • Los Angeles, CA
 Copyright©2020 ETC. All Rights Reserved. All product information and specifications subject to change. Rev D 2020-12
 Trademark and patent info: etconnect.com/IP