



Profile Spotlight Series

Type(s)

Project

Date

Notes

SPECIFICATIONS

The Source Four LED CYC adapter brings the infinite color options of the x7 Color System to your cyc. Using ETC's innovative design, you can quickly turn your Source Four LED or ColorSource Spot into a bright, colorful and versatile cyclorama wash light. With its simple setup, you can easily achieve beautiful cyc-light distribution from the same Source Four LED or ColorSource Spot light engine you already have.

PHYSICAL

- Rugged, die-cast, aluminum construction
- Fits all standard Source Four LED or ColorSource Spot light engines
  - \*Not for use with HPL Source Four fixtures\*
- Compatible with ETL and CE fixtures
- Can be top- and/or bottom-mounted
- Simple, flexible setup

OPTICAL

- Bright, even wash light
- Maximum color control with ETC's x7 Color System
- Smooth coverage up to 40 ft (top and bottom lit)
- Efficient 2:1 spacing ratio (maximum) from cyc
  - 1.5:1 ideal spacing ratio
- Heat- and impact-resistant polycarbonate lenses

ORDERING INFORMATION

Source Four LED CYC

| MODEL    | DESCRIPTION                 |
|----------|-----------------------------|
| S4LEDCYC | Source Four LED CYC Adapter |

For a complete fixture, order the Source Four LED or ColorSource Spot fixture body in addition to the CYC adapter.

Accessories

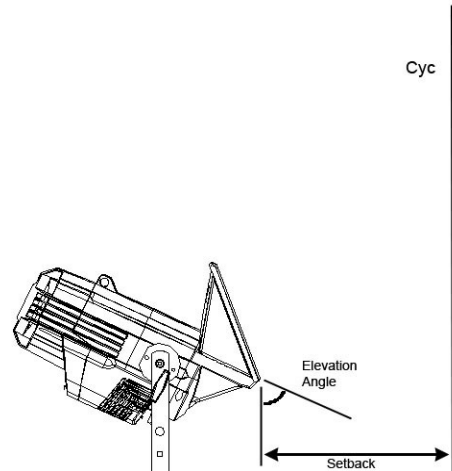
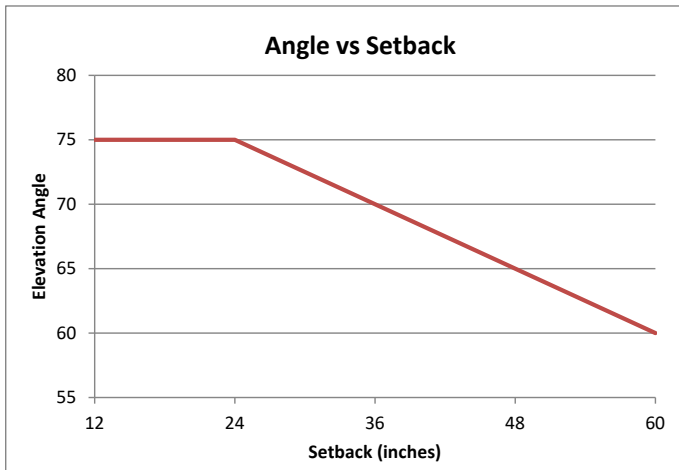
| MODEL      | DESCRIPTION                    |
|------------|--------------------------------|
| S4LEDCYCBD | Source Four LED CYC barn door* |

\*Barn door creates sharp bottom edge and controls glare on top



PHOTOMETRICS

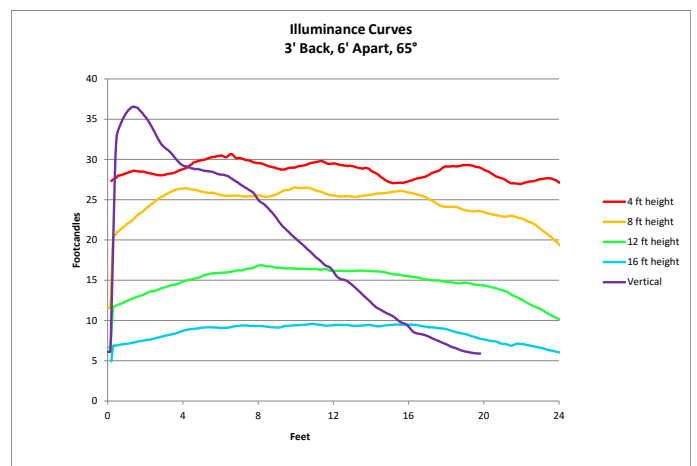
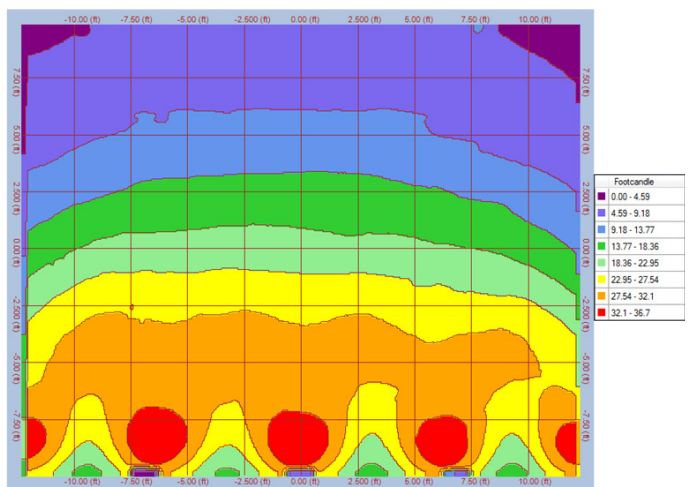
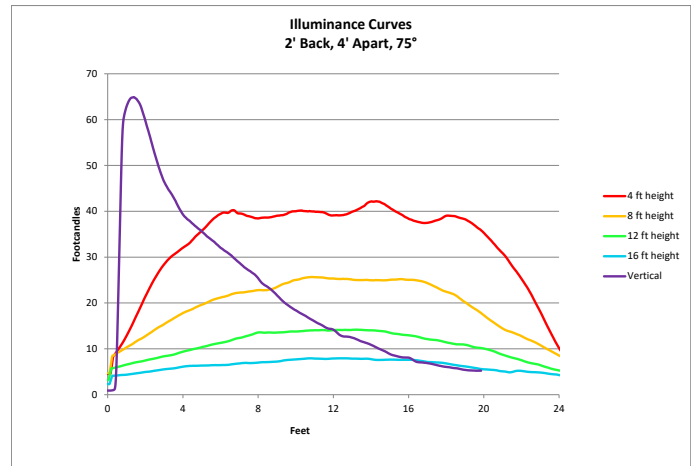
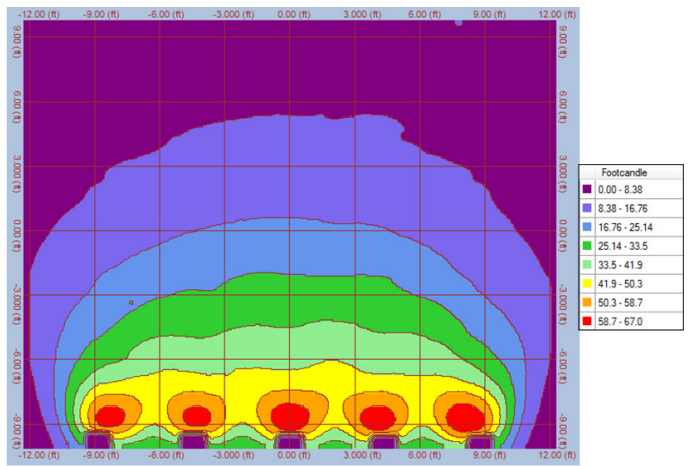
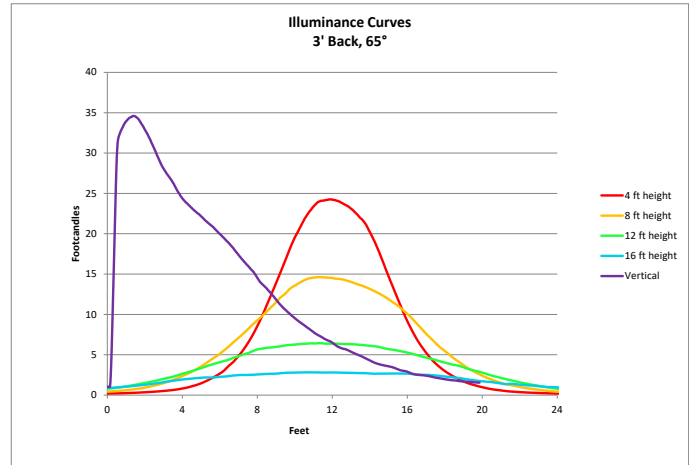
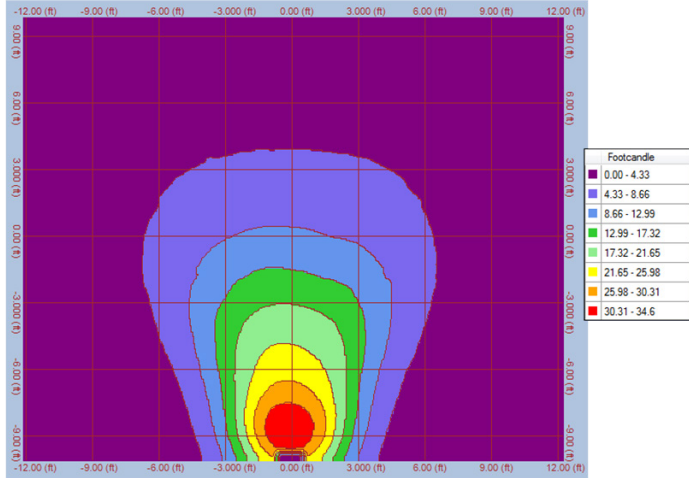
Suggested elevation angles for different setback distances with a 20-ft high cyclorama



Lumen output with Source Four LED Lustr+

| Mode      | Setback Distance | Total Lumens on 24'x21' Cyc | Elevation Angle |
|-----------|------------------|-----------------------------|-----------------|
| Boost     | 3 ft             | 2,659                       | 65°             |
| Regulated | 3 ft             | 2,405                       | 65°             |

PHOTOMETRICS

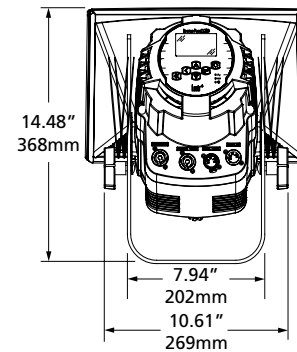
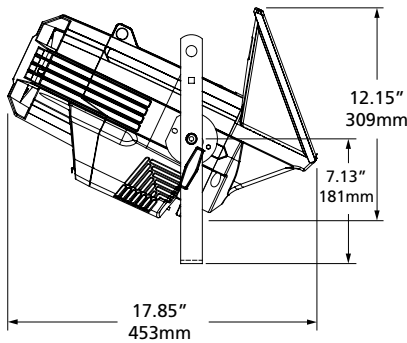
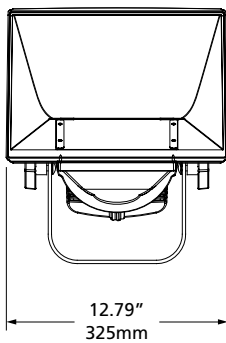
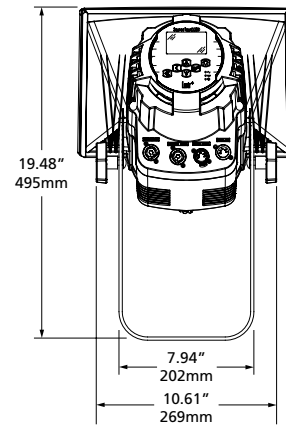
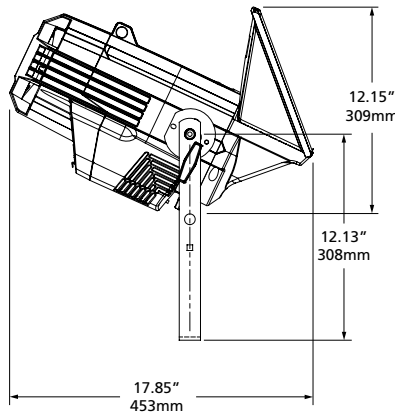
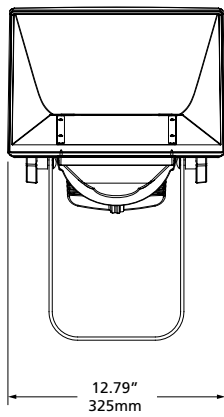
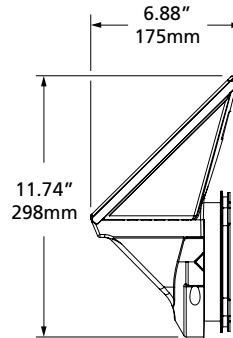
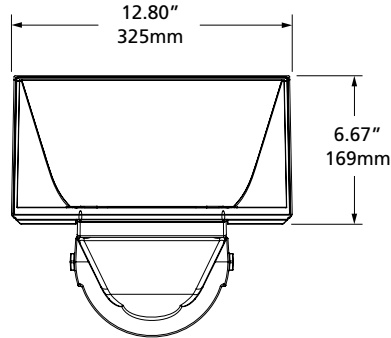


PHYSICAL

Source Four LED CYC Weights\*

| MODEL | WEIGHT |     | SHIPPING WEIGHT |     |
|-------|--------|-----|-----------------|-----|
|       | lb     | kg  | lb              | kg  |
| CYC   | 4.5    | 2.1 | 6.0             | 2.8 |

\* CYC adapter only



Corporate Headquarters • Middleton, WI USA  
 Global Offices • London, UK • Rome, IT • Holzkirchen, DE • Paris, FR • Hong Kong • Dubai, UAE •  
 Singapore • New York, NY • Orlando, FL • Los Angeles, CA  
 Copyright©2021 ETC. All Rights Reserved. All product information and specifications subject to change. Rev E 2021-01  
 Trademark and patent info: [etconnect.com/AP](http://etconnect.com/AP)

etconnect.com