



Type(s)

Project

Date

Notes

**GENERAL INFORMATION**

The Selador Desire D60 Studio lighting fixture uses the newest technology in high-output white-light LEDs to create an ideal luminaire for video, film and other 'white-light-only' applications. Three different LED options give the user a choice for just the right white-light output for the job. The D60 Studio offers a rugged die-cast enclosure; quiet, fan-cooled operation; multiple lens options; and an advanced user interface. The user interface enables easy configuration and specific features for video and film applications. The fixture can be configured to operate under console control for studio systems or in stand-alone 'no console required' settings for location lighting.

**D60 Studio LED options**

The D60 Studio fixture is available with any one of the following arrays based on specific white-light functions to best suit the intended application (not interchangeable).

- D60 Studio HD – combines warm-white and cool-white LEDs for variable-color-temperature mixing. Added to this are five carefully chosen LED colors from the x7 Color System to fill in the white LED spectral gaps. D60 Studio HD provides the richest variable-white light possible in an LED fixture.
- D60 Studio Daylight – contains sixty 5600 K LEDs for high-intensity, non-variable cool-white output
- D60 Studio Tungsten – contains sixty 3000 K LEDs for high-intensity, non-variable warm-white output

**ORDERING INFORMATION**

**D60 Studio**

MODEL	DESCRIPTION	ETL PART NUMBER	CE PART NUMBER	
SELD60HI	D60 Studio HD wash fixture for highest-intensity variable-white light output with broad spectrum richness and color rendering	7410A1602	7410A1602-0X	
SELD60DI	D60 Studio Daylight wash fixture has sixty 5600 K emitters for single-color, non-adjustable daylight output	7410A1607	7410A1607-0X	
SELD60TI	D60 Studio Tungsten wash fixture has sixty 3000 K emitters for single-color, non-adjustable tungsten-like output	7410A1606	7410A1606-0X	

Note: D60 Studio luminaires ship with a hanging yoke, a Very Narrow secondary lens and an input lead with connector of choice. See page 6 for connector options. C-clamps are not included.  
 Color options: -1 / -1X = white, -5 / -5X = silver gray/custom colors



## PRODUCT SPECIFICATIONS

## Source

LED details	60 Lumileds LUXEON® Rebel 2.5 W LED
Max lumens	Studio HD: 4,532 Studio Daylight: 8,216 Studio Tungsten: 6,482
Lumens per watt	Studio HD: 30.9 Studio Daylight: 57.0 Studio Tungsten: 44.8
L70 Rating Hours to 70% output	50,000 hours

## Color

Colors used	Studio HD: Red, Amber, Green/Cyan, Blue, Warm White, Cool White Studio Daylight: White Studio Tungsten: White
Color temperature range	Studio HD: 2700–5600 K Studio Daylight: 3200 K Studio Tungsten: 5600 K
Calibrated array	Studio HD: Yes Studio Daylight: No Studio Tungsten: No
Red shift	Yes (Studio HD)

## Optical

Beam angle range	8-71°
Gate size	N/A
Aperture size	9 in
Pattern projection	No
Pattern size	N/A
Camera flicker control/Hz range	Yes: 900–25,000 Hz
Notes	Secondary lenses available for multiple beam-spread options

## Control

Input method	DMX512 via 5-pin XLR
Protocols	DMX512/RDM
Modes (footprint)	See page 6
RDM configuration	Yes
UI type	LCD
Local control	Yes
Onboard presets	Yes
Onboard sequences	Yes
Onboard effects	No
Fixture-to-fixture control	Yes
Notes	15-bit virtual dimming engine

## Electrical

Voltage range	100–240 VAC 50/60 Hz
Input method	Neutrik powerCON® in and thru Requires power from non-dimmable source
Inrush	15 A at 120 V (First half-cycle) 40 A at 240 V (First half-cycle)
Fixtures per circuit*	9 (15 A via power thru connector)
Wattage typical	161 W
Current draw	1.43 A / 120 V 0.58 A / 240 V

\*Note: All measurements are for 120 V, 60 Hz. Results may vary in different regions.

## Thermal

Ambient operating temp	-20°–40° C (4°–104° F)
Fan (controllable)	Yes (yes)
Droop compensation	Yes
dB range	25 dBa average at 1 m (more details on page 8)
BTUs/hour	549

## Physical

Materials	Die-cast, all metal housing
Color options	Black, white, silver, or custom color
Mounting options	Yoke
IP rating	IP20
Weight	8.7 kg (19.1 lb)
Included accessories	Very Narrow Round diffuser, power cable (see page 7), optional yoke/floor stand

## Warranty

Fixture	5 years
LED array	10 years

## Regulatory and Compliance

Approved regulatory standards	UL 1573 CSA C22.2 No. 166 CE Compliant EAC Compliant
-------------------------------	---

ETC utilizes a nationally recognized third-party lab for luminaire testing according to IES LM-84. See [etconnect.com/About/News/ETC-Fixture-Ratings-and-Warranties-Extended.aspx](http://etconnect.com/About/News/ETC-Fixture-Ratings-and-Warranties-Extended.aspx).

All LED sources experience some lessening of light output and some color shift over time. LED output will vary with thermal conditions. In individual situations, LEDs will be used for different durations and levels. This can eventually lead to minor alterations in color performance, necessitating slight adjustments to presets, cues or programs.

PRODUCT FEATURES



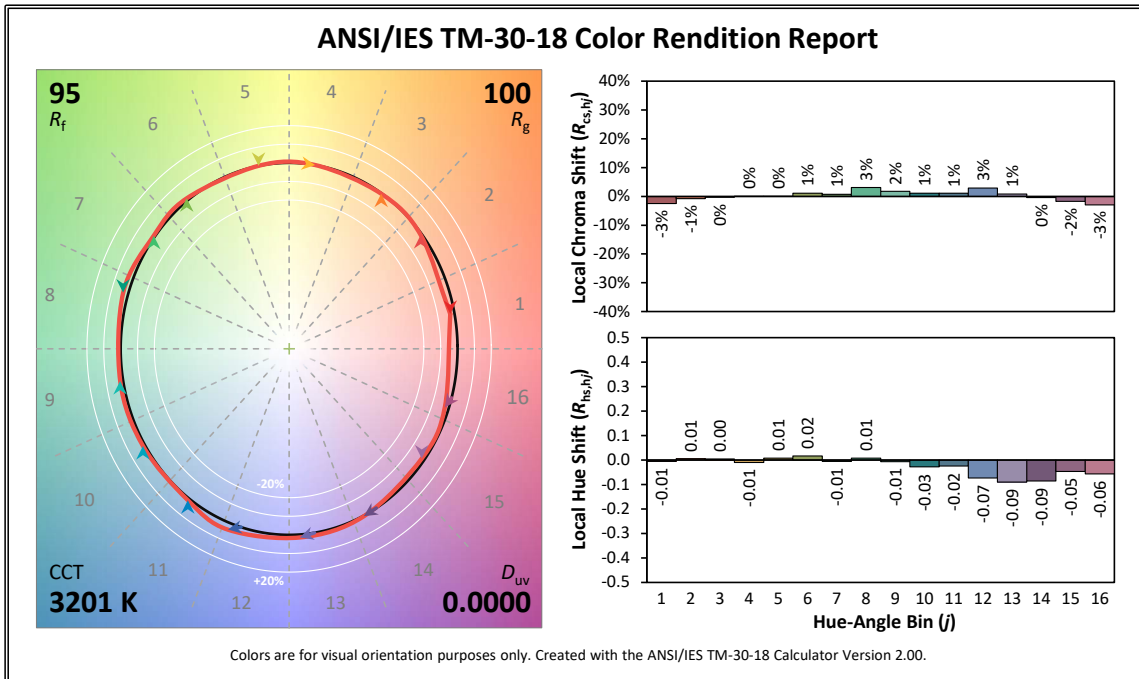
**INDUSTRY LEADING WARRANTY**  
 Unmatched five year fixture and ten year warranty on the LED array.

**MULTIPLE LED ARRAY OPTIONS**  
 Available in three white-light arrays to best outfit your studio.

**USER FRIENDLY INTERFACE**  
 With multiple modes and fixture settings.

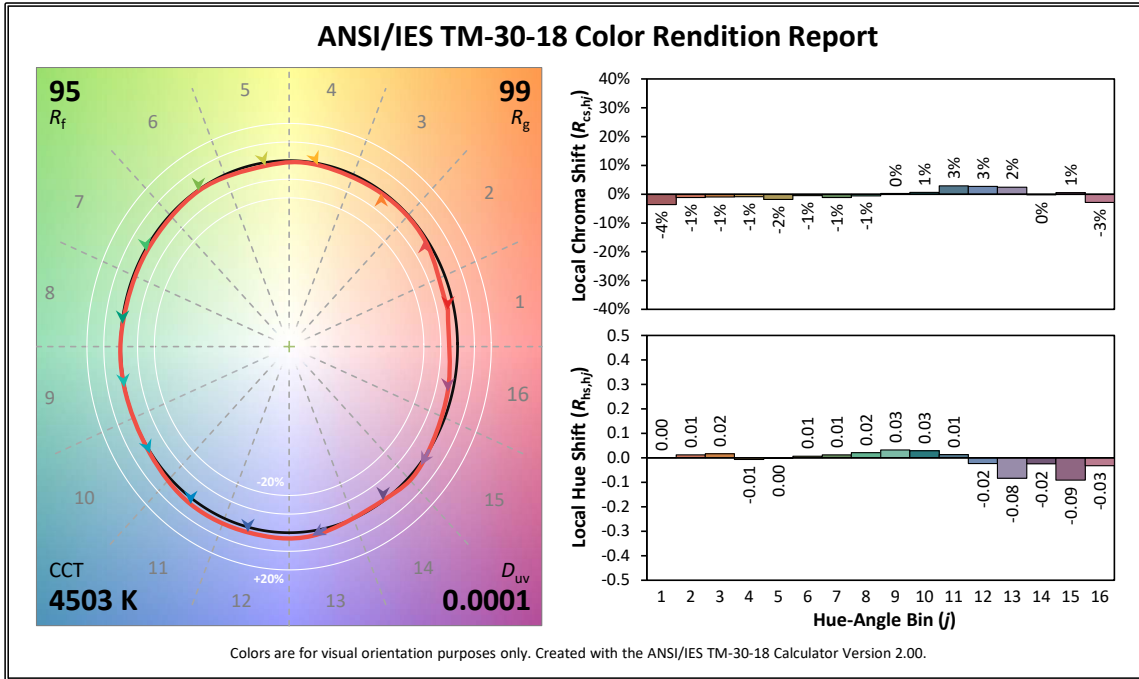
COLOR METRIC INFORMATION

DESIRE D60 STUDIO HD 3200 K TM-30-18

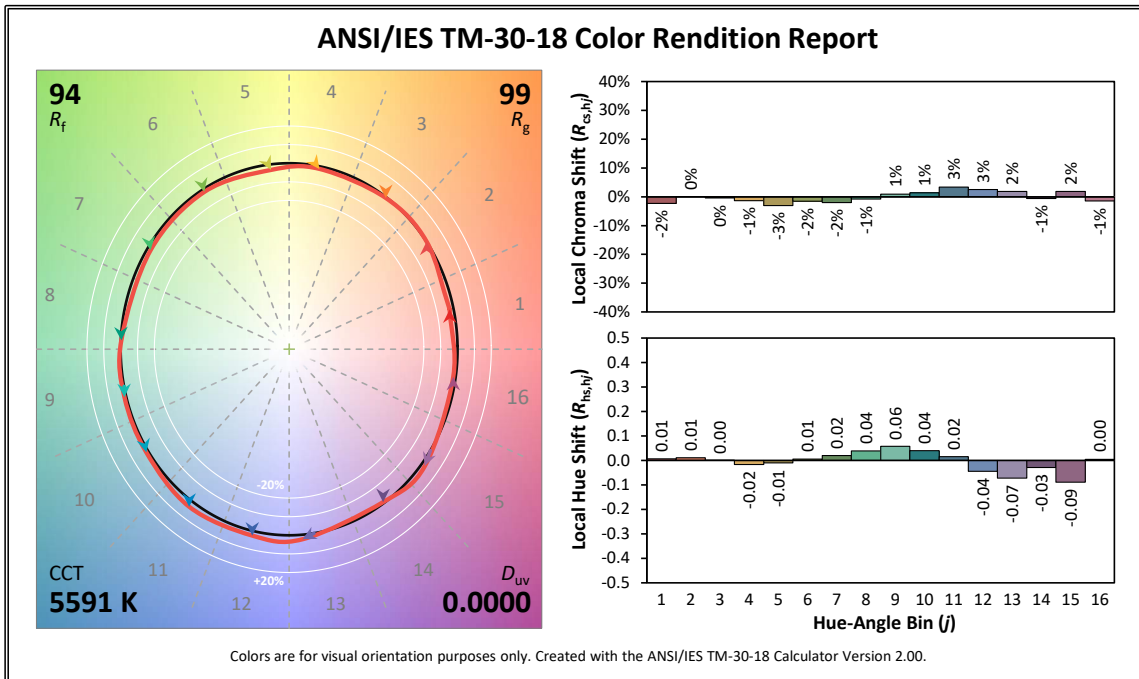


COLOR METRIC INFORMATION

DESIRE D60 STUDIO HD 4500 K TM-30-18



DESIRE D60 STUDIO HD 5600 K TM-30-18



## ADDITIONAL ORDERING INFORMATION

## Secondary Lens Options

The following lenses are cut for D60 fixtures and create round, linear or oblong field patterns as described below. These lenses are not sized for use in Selador Classic fixtures.

Note: This is the same material as Selador Classic lenses.

MODEL	DESCRIPTION	PART NUMBER	
<b>Narrow Linear Field</b>	Linear lenses may be combined to create desired field size		
SELLN-9	9 in narrow lens	7410K1033	
SELLM-9	9 in medium lens	7410K1034	
SELLW-9	9 in wide lens	7410K1035	
SELLEW-9	9 in extra wide lens	7410K1036	
<b>Round Field</b>	Any one of the following round lenses may be installed permanently in the fixture at the factory as a special order		
SELRN-9	9 in narrow lens (round field)	7410K1026	
SELRM-9	9 in medium lens (round field)	7410K1027	
SELRW-9	9 in wide lens (round field)	7410K1028	
SELRXW-9	9 in extra wide lens (round field)	7410K1040	
<b>Oblong Field</b>			
SELON-9	9 in narrow lens (oblong field)	7410K1029	
SELOM-9	9 in medium lens (oblong field)	7410K1030	
SELOW-9	9 in wide lens (oblong field)	7410K1031	

[Desire lenses compared to Source Four PAR EA](#)

## LENS INFORMATION

## Desire diffusion angle measurements

NOMINAL									
	No Lens	Very Narrow	Narrow	Medium	Wide	Extra Wide	Narrow Oval	Medium Oval	Wide Oval
		25°	35°	45°	75°	N/A	20° x 40°	30° x 70°	35° x 80°
<b>D60</b>									
<b>LUSTR+</b>	18	22	27	42	69	104	20 x 37	25 x 60	30 x 82
<b>VIVID</b>	18	22	27	42	69	104	20 x 37	25 x 60	30 x 82
<b>STUDIO HD</b>	18	23	28	42	69	104	21 x 29	25 x 61	30 x 82
<b>STUDIO D</b>	22	25	30	43	70	105	24 x 39	28 x 62	32 x 80
<b>STUDIO T</b>	23	25	30	43	70	105	24 x 39	28 x 62	32 x 80

Values in black refer to old lens descriptions.

---

**ADDITIONAL ORDERING INFORMATION**
**Power Input Cables**

Use information below to order 5 ft power input leads with factory-fitted connectors. CE Fixtures ship with powerCON to bare end cable in the box.

MODEL	DESCRIPTION	
DPA-A	5 ft powerCON to parallel blade U-ground (Edison) connector	
DPA-B	5 ft powerCON to 20 A two-pin and ground (stage pin) connector	
DPA-C	5 ft powerCON to grounded 20 A twistlock connector	
DPA-X	5 ft powerCON to bare-end power input lead	

**Power Thru Jumpers**

Note: Power thru jumpers connect to fixture's output (thru) connector to provide link to successive fixtures.

MODEL	DESCRIPTION	PART NUMBER	
DPJ-5	5 ft powerCON to PowerCON fixture to fixture jumper	7410B7020	
DPJ-10	10 ft powerCON to powerCON fixture to fixture jumper	7410B7010	

**Fixtures Accessories**

MODEL	DESCRIPTION	PART NUMBER	
SELD60FSY	Yoke with floor-stand attachment	7410K1022	
490BD	Barn door (Use only as a flexible top hat to diminish aperture glare. Not for beam shaping.)	PSF1099	
490CF	Color frame (use for round and oblong lenses)	7410A3040	
490L	Egg crate louver	PSF1100	
490PTH3	Top hat 3 in tube	PSF1097	
490PTH6	Top hat 6 in tube	PSF1096	
490PHH	Half hat 6 in tube	PSF1098	
400CC	C-Clamp (does not ship with fixture)	7060A2009 (not CE)	
400SC	Safety cable (30 in)	7060A1022	
DPSJ-25	25 ft PowerCON-to-Edison input power cable with inline switch	7400B7030	

## CRI AND CQS RATINGS

Desire fixtures were evaluated for CRI and CQS performance using measured output spectrum and optimized mix solutions for the best spectral match to black body sources at 3200 K and 5600 K.

FIXTURE	CRI	CQS	COLOR FIDELITY	DUV
D60 Vivid at 3200 K	87	89	89	0.000
D60 Vivid at 5600 K	90	92	92	0.000
D60 Lustr+ at 3200 K	86	88	88	0.000
D60 Lustr+ at 5600 K	93	92	92	0.000
D60 Studio HD at 3200 K	89	90	91	0.000
D60 Studio HD at 5600 K	92	94	94	0.000
D60 Studio Daylight at 5600 K	71	70	63	0.001
D60 Studio Tungsten at 3000 K	86	86	86	0.001

All D60 Studio luminaire versions provide excellent color rendering to the eye, particularly at higher color temperature settings, such as 5600 K. In most cases, the Duv is 0.000. A Duv rating of 0.000 indicates that the color mix used is exactly on the black body line, with no green or magenta tint.

### Notes to videographers:

- All Desire fixtures use Luxeon Rebel ES emitters specified by the strictest binning standards. However, on-camera LED response varies with different cameras and settings. Daylight LEDs can appear slightly greener than other 5600 K sources on camera.
- Fixtures with non-variable, single-color daylight arrays, such as Studio Daylight, may use standard color correction filters (Rosco 3314, Rosco 3316 or similar) to achieve the desired on-camera result.
- Camera tests using your specific setup are recommended to determine the best configuration.

CONTROL OPTIONS

Studio HD

User settings on D60 Studio fixtures allow multiple operational modes and settings for either console operation via DMX protocol or stand-alone operation. The expanded LCD display provides easy navigation to all possible settings and options. Some of the setting options are:

- Multiple DMX choices ranging from a simple RGB profile – which effectively controls all seven LED colors via three channels – to nine-channel direct color and intensity control
- Multiple dimming curve options
- Preset colors and effects for stand-alone (no console required) operation
- White point selection – white light and color behavior based on a specific color temperature white light, i.e., 3200 K, 5600 K, etc.
- Loss of data behavior options – instant off, hold last look for two minutes, etc.
- Output modes – three output options that offer the user a choice between maximum output and maximum consistency

See the User Manual for a complete explanation of all of the control settings and options for the D60 Studio.

Quick Setups

Use one of five Quick Setups on the fixture display to get started. You can modify the setting as needed.

Setting Title	Profile	Description	Typical Features*
Studio	Studio	Studio Factory Default: Enables three-parameter control of white light (intensity, white point, and tint) via DMX from a console or console-free from a fixture display	<ul style="list-style-type: none"> <li>• Linear dimming curve</li> <li>• Regulated output for color consistency</li> </ul>
General	Direct	For general purpose use including interior architectural applications	<ul style="list-style-type: none"> <li>• Standard dimming curve</li> <li>• Regulated output for color consistency</li> <li>• 3200 K white-point setting</li> </ul>
Stage	HSI Plus 7 Enabled	Theatrical lighting: Duplicates the color and dimming behavior of tungsten stage lighting fixtures	<ul style="list-style-type: none"> <li>• Incandescent dimming curve</li> <li>• Regulated output for color consistency</li> <li>• 3200 K white-point setting</li> </ul>
XT Arch	HSI	Exterior architectural lighting: Provides a high degree of color consistency in high ambient temperature environments	<ul style="list-style-type: none"> <li>• Standard dimming curve</li> <li>• Protected output</li> <li>• 3200 K white-point setting</li> </ul>
High Impact	RGB	Event lighting: Enables quickest response, simple RGB control and strobe channel for maximum effect usage	<ul style="list-style-type: none"> <li>• Quick dimming curve</li> <li>• Boost mode for maximum intensity</li> <li>• 5600 K white-point setting</li> </ul>

\*See user manual for complete list of features for each Quick Setup

CONTROL OPTIONS

Studio HD

DMX Input Channel Profiles

DMX Profile	DMX Channels	Channel Assignments	Notes
The Studio HD color array is designed for white-light use. RGB, HSI and HSIC profiles will operate as described but will produce a limited intensity and gamut of deep colors.			
Studio	6 (Ch. 4 not used)	1 – Intensity 2 – Color Point (CCT) 3 – Tint 4 – n/a 5 – Strobe 6 – Fan Control	Controls fixture as a white-light unit. If no DMX is present, (console input, for example) fixture can be adjusted for these three parameters on the UI at the back of the unit
Direct	10	1 – Red 2 – Amber 3 – Green/Cyan 4 – Blue 5 – 3000 K White 6 – 6000 K White 7 – n/a 8 – Intensity 9 – Strobe 10 – Fan Control	Direct control of each individual color with a separate master intensity channel. Color calibration of LEDs is not active in this mode. The ten-channel profile will produce the highest-quality color crossfades
HSI	6	1 – Hue (coarse) 2 – Hue (fine) 3 – Saturation 4 – Intensity 5 – Strobe 6 – Fan Control	High-resolution hue (two channels), saturation, and intensity control. HSI mode will produce color crossfades around the color space
HSIC	7	1 – Hue (coarse) 2 – Hue (fine) 3 – Saturation 4 – Intensity 5 – Strobe 6 – Fan Control 7 – Color Point (CCT)	High-resolution hue, saturation and intensity control as above, with the addition of a color-point channel to adjust the color temperature of the fixture in both white light and color. Color crossfade performance is the same as HSI
RGB	6 (Ch. 4 not used)	1 – Red 2 – Green 3 – Blue 4 – n/a 5 – Strobe 6 – Fan Control	Effectively addresses all seven colors via three channels of control. RGB profile will produce medium-quality color crossfades

Additional profile options

Plus 7	Seven additional color control channels are available in RGB, HSI, and HSIC, and Studio profile settings. For example, HSI with 'Plus 7' enabled becomes a 15-channel profile:		
	1 – Hue (coarse) 2 – Hue (fine) 3 – Saturation 4 – Intensity 5 – Strobe 6 – Fan Control 7 – n/a 8 – Plus Seven Control (on/off) 9 – Red 10 – Green/Cyan 11 – Amber 12 – Blue 13 – 3000 K White 14 – 6000 K White 15 – n/a	The desired color and intensity are achieved by using the HSI or RGB channels  Placing channel 8 at a value over 51% gives the fixture a 15-channel profile  Channels 9–15 represent the native colors of the fixture and allow the operator to adjust individual color channels to fine tune the color output	
Strobe	Variable strobe control: 0% is no strobe. The fixture output will strobe more rapidly as the strobe channel value approaches 100%.		



**CONTROL OPTIONS**

Studio Daylight and Studio Tungsten only

**Quick Setups**

Setting Title	Profile	Description	Typical Features
Studio	Studio	Enables control of intensity from the luminaire's user interface; no console required	<ul style="list-style-type: none"> <li>• Linear dimming curve</li> <li>• Regulated output for intensity stability</li> </ul>
Single Channel	Direct	For general-purpose architectural use	<ul style="list-style-type: none"> <li>• Standard dimming curve</li> <li>• Regulated output for color consistency</li> </ul>
Stage	Direct	Matches conventional luminaire performance	<ul style="list-style-type: none"> <li>• Incandescent dimming curve</li> <li>• Regulated output</li> </ul>

**DMX Input Channel Profiles**

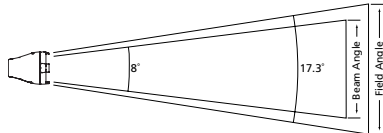
DMX Profile	DMX Channels	Channel Assignments	Notes
Studio	3	1 – Intensity 2 – Strobe 3 – Fan Control	Control of parameters is also enabled from the luminaire's user interface. No console required.
Direct	3	1 – Intensity 2 – Strobe 3 – Fan Control	

PHOTOMETRICS

D60 Studio HD

Mode	Degree	Candela	Field Lumens	Beam Lumens	Lumens Per Watt
Boost - Cold	17.3°	198,907	4,532	1,916	30.9
Regulated	17.3°	185,414	4,224	1,780	30.7
Regulated 3200 K	17.4°	139,896	3,194	1,292	33.0
Regulated 5600 K	17.3°	133,637	3,025	1,254	31.0

Metric conversions: For meters, multiply feet by 0.3048.  
For lux, multiply foot-candles by 10.76.

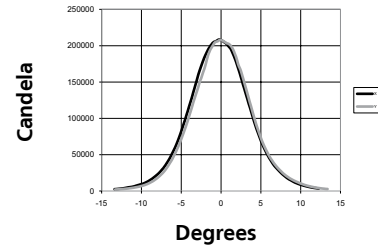


Throw Distance (d)	10.0 ft 3.0 m	15.0 ft 4.6 m	20.0 ft 6.1 m	25.0 ft 7.6 m	430.6 ft 131.2 m
Field Diameter	3.0 ft 0.9 m	4.6 ft 1.4 m	6.1 ft 1.9 m	7.6 ft 2.3 m	131.3 ft 40.0 m
Illuminance (fc)	1,854	824	464	297	1
Illuminance (lux)	19,958	8,870	4,989	3,193	10.76

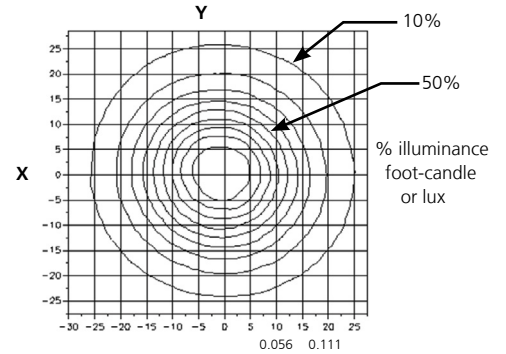
To determine center beam illumination in foot-candles at any throw distance, divide candela by the throw distance squared.

For Field diameter at any distance, multiply distance by 0.305.  
For Beam diameter at any distance, multiply distance by 0.136.

Cosine Candela Plot



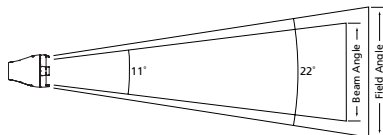
Iso-Illuminance Diagram (Flat Surface Distribution)



D60 Studio Daylight

Mode	Degree	Candela	Field Lumens	Beam Lumens	Lumens Per Watt
Boost - cold	22°	209,556	8,216	4,068	57.0
Regulated	22°	193,045	7,610	3,860	57.2

Metric conversions: For meters, multiply feet by 0.3048.  
For lux, multiply foot-candles by 10.76.

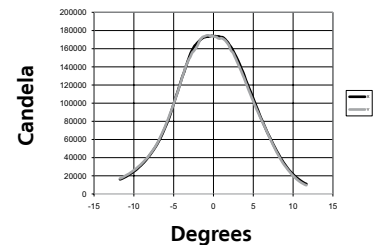


Throw Distance (d)	10 ft 3 m	15.0 ft 4.6 m	20.0 ft 6.1 m	25.0 ft 7.6 m	439.4 ft 133.9 m
Field Diameter	3.8 ft 1.2 m	5.7 ft 1.7 m	7.6 ft 2.3 m	9.4 ft 2.9 m	166.0 ft 50.6 m
Illuminance (fc)	1,930	858	483	309	1
Illuminance (lux)	20,779	9,235	5,195	3,325	10.76

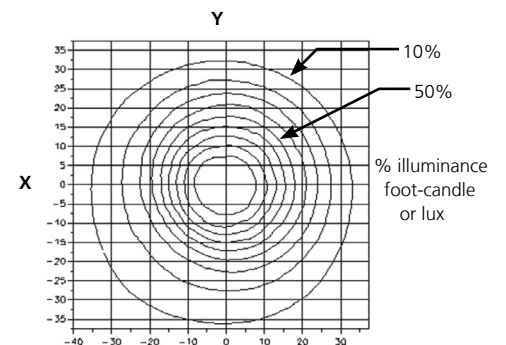
To determine center beam illumination in foot-candles at any throw distance, divide candela by the throw distance squared.

For Field diameter at any distance, multiply distance by 0.378.  
For Beam diameter at any distance, multiply distance by 0.193.

Cosine Candela Plot



Iso-Illuminance Diagram (Flat Surface Distribution)

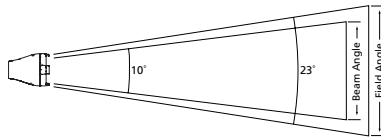


PHOTOMETRICS

D60 Studio Tungsten

Mode	Degree	Candela	Field Lumens	Beam Lumens	Lumens Per Watt
Boost - Cold	21.3°	171,089	6,482	3,001	44.8
Regulated	21.3°	162,409	6,172	2,918	44.9

Metric conversions: For meters, multiply feet by 0.3048.  
For lux, multiply footcandles by 10.76.



Throw Distance (d)	10.0 ft 3.0 m	15.0 ft 4.6 m	20.0 ft 6.1 m	25.0 ft 7.6 m	403.0 ft 122.8 m
Field Diameter	3.8 ft 1.1 m	5.7 ft 1.7 m	7.5 ft 2.3 m	9.4 ft 2.9 m	151.9 ft 46.3 m
Illuminance (fc)	1,624	722	406	260	1
Illuminance (lux)	17,482	7,770	4,370	2,797	10.76

To determine center beam illumination in footcandles at any throw distance, divide candela by the throw distance squared.

For Field diameter at any distance, multiply distance by 0.377.  
For Beam diameter at any distance, multiply distance by 0.184.

**THROW DISTANCE MULTIPLIER (TDM)**

To determine the distance from the center of the beam (Origin) to a certain illuminance level at a particular distance, multiply the desired throw distance by the TDM desired on the Iso-Illuminance diagram.

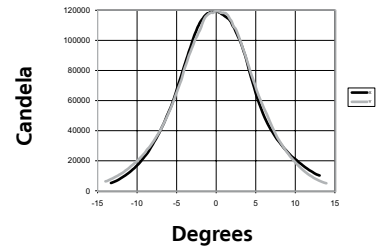
Throw Distance (TD) x Throw Distance Multiplier (TDM) = Distance from the Origin (DfO) (distance from the center of the beam)

Example: 25 feet (TD) x 0.047 (TDM) = 1.175 feet from center of beam (DfO)

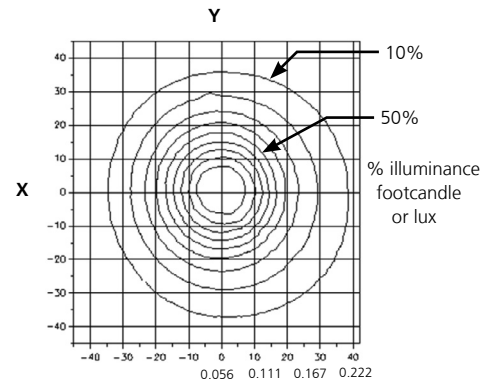
For illumination with any lamp, multiply the candlepower of a beam spread by the multiplying factor (mf) shown for that lamp.

To determine illumination in footcandles or lux at any throw distance, divide candlepower by distance squared.

Cosine Candela Plot



Iso-Illuminance Diagram (Flat Surface Distribution)



D60 ACOUSTICAL INFORMATION

FIXTURE	SPEED	SOUND PRESSURE LEVEL*
Background noise level in test chamber	N/A	18.3 dBA
Desire D60	30%	25.0 dBA
	51%	37.4 dBA
	60%	38.6 dBA
	100%	43.1 dBA

\* Average of readings from four sides of fixture

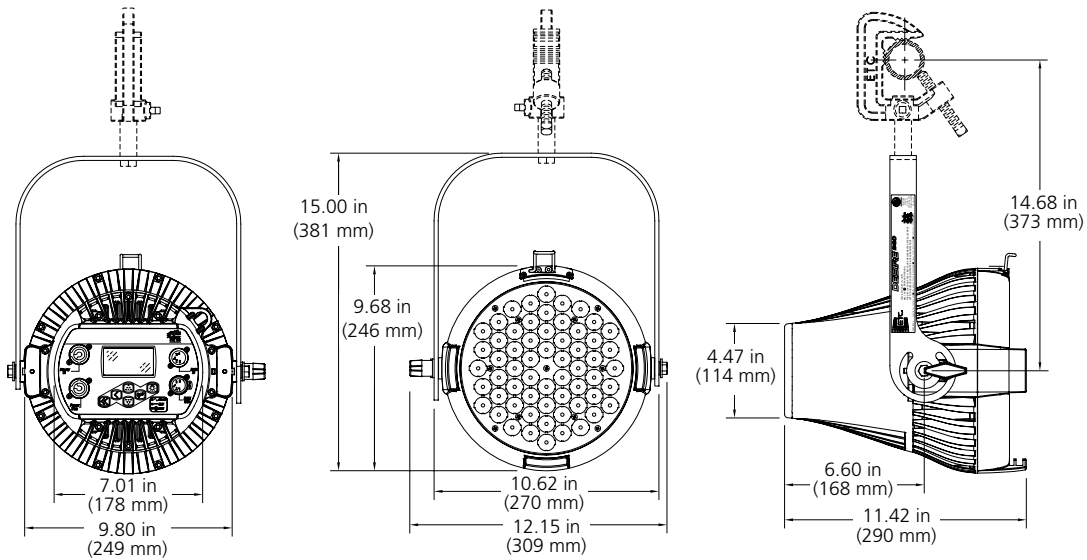
The fan in all D60 fixtures is thermostatically controlled to run as needed. 60% fan speed may be noted in Studio Daylight and Studio Tungsten fixtures at high intensities at room temperature.

Selador D60 Studio Weights and Dimensions

WEIGHT*		SHIPPING WEIGHT	
lb	kg	lb	kg
19.1	8.7	21.5	9.7

\* Does not include mounting hardware

PHYSICAL



Corporate Headquarters • Middleton, WI USA  
 Global Offices • London, UK • Rome, IT • Holzkirchen, DE • Paris, FR • Hong Kong  
 Dubai, UAE • Singapore • New York, NY • Orlando, FL • Los Angeles, CA • Austin, TX  
 Copyright©2021 ETC. All Rights Reserved. All product information and specifications subject to change. Rev R 2021-09  
 \*Trademark and patent info: [etcconnect.com/IE](http://etcconnect.com/IE)

etcconnect.com