



## PixelGate Arma

### Cascadable direct ArtNet/sACN to SPI LED pixel strip driver

ArtNet/sACN to SPI controllers for pixel mapped indoor and outdoor LED strip installations. Two Ethernet ports and integrated switch provide cascability. Directly convert up to 16 DMX universes into SPI to control 2,730 RGB pixels supporting up to 8 separate LED outputs. By default support WS28xx LEDs with additional LED types available by remote firmware update. Power supplied to LEDs separately, from 5V to 48V. Outputs are configurable through web-based management page. Tough and compact waterproof enclosure (IP65) specifically crafted for outdoor use.

### Advantages

Cascadable through integrated switch and 2 Ethernet ports

Support ArtNet and sACN

LEDs with power supply up to 48V

Work with two-wire and three-wire strips

Support various LED types

Natural heat convection, no fans or coolers, no vent slots – full protection from dust and smoke increases product lifetime

Power source 5/12/24/48 VDC



User-Friendly Web Interface



UltraStart



Natural Heat Convection



Highest Ingress Protection

### Application

Control drivers of LED pixel strips by converting ArtNet/sACN to SPI

Drivers for LED light curtains with individual pixel control

Drivers for LED strip installations with individual pixel control

Drivers for mapped LED strip screens

Mapping of moving images on free-form objects

# PixelGate Arma

Cascadable direct ArtNet/sACN to SPI LED pixel strip driver

Version: 2.10  
21 Jul 2020

## Technical Specifications

### Mechanical

**Housing:** solid case

**Material:** metal

**Dimensions, mm:** 115(D) x 55(H) x 90(W)

**Mass:** 0.85 kg

**Mounting:** surface, truss

### Power & Electrical

**Power supply:** 5/12/24/48 VDC

### Environmental

**Operating Temperature:** -40...+70°C

**Storage Temperature:** -50...+80°C

**Operating Relative Humidity (max):** 100%

**IP Rating:** IP65 for outdoor use

**Certification:** CE, RoHS

**Warranty:** 36 month (return to base)

### Control / Data Connections

**Control interface:** ArtNet I, II, III, IV/ sACN

**Channels:** 8 SPI

**Supported LEDs:** WS2812B, WS2811, TM1809, UCS1903, WS2801, APA102, LPD8806, WS2818, WS2812S, UCS1903B, UCS1909, UCS1909B, UCS1912, UCS1912B, UCS2903, UCS2903S, UCS2909, UCS2912, INK1002, INK1003, LX1003, SM16703, WS2813, WS2813A, WS2813B, WS2813C, WS2813D, TM1803, TM1804, TM1812, TM1814, TM1829, WS2803, DM413, LPD8803, LPD6803, LPD6813, LPD1101, UCS5903, UCS6909, UCS6912, UCS7009, D705, D707, D708

### Inputs / Outputs

**LED outputs:** up to 8, TTL 3/5V

**Ethernet ports:** 2 (10/100 Base-TX)

**Ethernet connectors:** 2 (LSA-PLUS® connectors)

### Configuration / Indication

**Setup:** web

**Indication:** LED for Ethernet activity

### Package Contents

PixelGate Arma

## Product Line

### Name

PixelGate Arma

### Modification

8 LED ports, 2 Ethernet ports (2730 RGB pixels)

### Product code

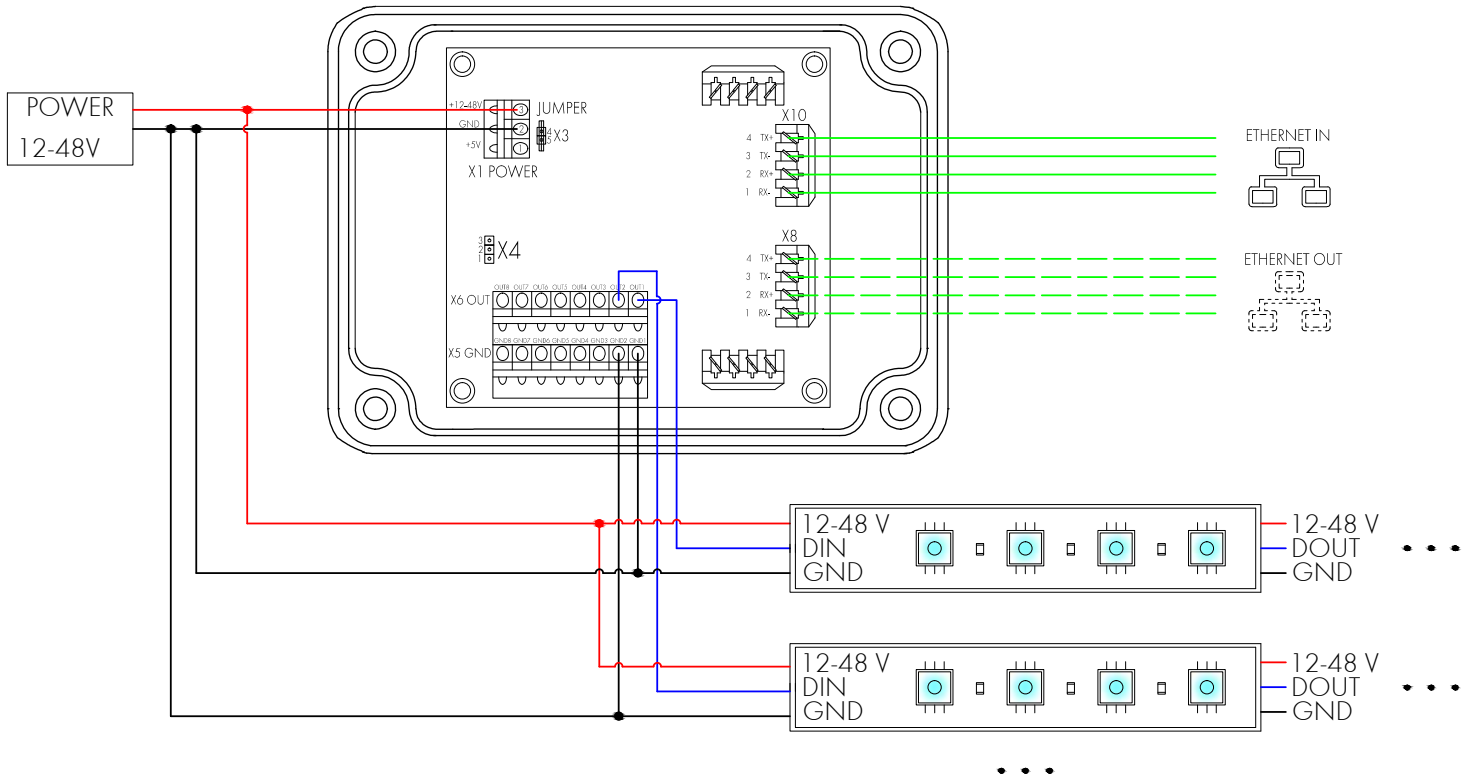
PXA-0-2E8SPI

# PixelGate Arma

Cascadable direct ArtNet/sACN to SPI LED pixel strip driver

Version: 2.10  
21 Jul 2020

## Connection Scheme



When using **12-48V** power source, set the jumper at **X3** connector.  
When using **5V** power source, jumper is **not** installed.

When using **5V** output signal: set the jumper at **1 and 2** pins of **X4** connector.  
When using **3.3V** output signal: set the jumper at **2 and 3** pins of **X4** connector.



**ATTENTION!**

Incorrect jumper connection may cause device malfunction.

## Accessories

Name

Truss mounting kit (Solid, Arma)

Product code

DMX-MCA-1-113