

# DMX 512

Lighting Control Series

Version: 1.20  
Date of Issue: 10/01/17

## Wireless LEDGate Compact

Wireless LED driver



Wireless LEDGate Compact is compact LED driver with DMX512 and BeDMX inputs.

Powered from 12/24 VDC source, LEDGate is capable to control and dim 2 or 4 output lines for direct connection with LED equipment: duralight, driverless LED luminaires, etc, with independent short-circuit protection on each channel. The device is equipped with coaxial RP-SMA RF connector for antenna connection to work as BeDMX receiver. DMX512 input is also available.

Thanks to innovative embedded algorithms, LEDGate provides a smooth, stepless regulation in full range of intensity.

### Key Features



UltraStart

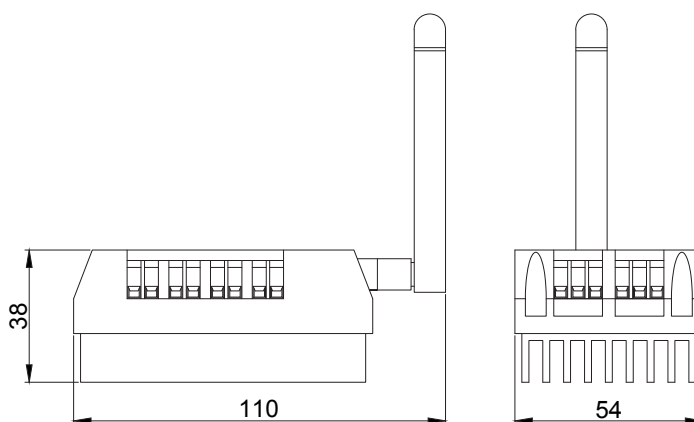


Galvanically Isolated Ports



Natural Heat Convection

- Direct connection with LED equipment
- Smooth light regulation
- Independent short-circuit protection on each channel
- Wireless BeDMX connection



### Compact series

Unique Compact Series converters are the smallest on the market (6 cm diameter) yet providing a fair bit of premium ArtNet/DMX converting options installed instead of power sockets into standard wall plates. Different set of cover plates affords to use Compact Series products in any country of the world. Just replace existing sockets with Compact Series device and enjoy DMX functionality for your entertainment electronics. All DMX ports are bidirectional i.e. may be configured as inputs or outputs. Every port has additional master IP so you can access and override the settings in a second through user-friendly web interface. All ports are galvanically isolated. UltraStart Technology guarantees ready device in less than 3 seconds after power supply. RDM support. PoE power supply (802.15f).



**SUNDRAX**  
electronics  
lighter than ever



Sundrax Electronics,  
6008, First Central 200,  
2 Lakeside Drive, Park Royal, London  
NW10 7FQ United Kingdom  
+ 44 (0) 208 991 33 19  
office@sundrax.com  
www.sundrax.com

# DMX 512

Lighting Control Series

## Wireless LEDGate Compact

Wireless LED driver

### Technical Specifications

#### Mechanical

- Housing: Surface mounted case
- Material: Metal, Plastic
- Dimensions, mm: 110(D) x 38(H) x 54(W)
- Mass: 0.2 kg

#### Power & Electrical

- Power supply: 12/24 VDC
- Max current per output: 20 A
- Input Power (max): 500 W

#### Environmental

- Operating Temperature: -40...+70°C
- Storage Temperature: -50...+80°C
- Operating Relative Humidity (max): 95%
- IP Rating: IP 20
- Certification: CE, RoHS
- Warranty: 36 Month (Return to base)

#### Control / Data Connections

- Control interface: BeDMX, DMX512
- Transmission range (standard antenna): 100 m
- RF band: 2.4 GHz

#### Inputs / Outputs

- LED outputs: 2 or 4
- Wireless interface: 1
- DMX512 interfaces: 1
- Slave interface: 1
- Connectors: Screw terminals

#### Package Contents

- Wireless LEDGate Compact
- 2.4 Ghz Antenna
- User guide

#### Configuration / Indication

- Setup: DIP rotor switchers
- Indication: LED for DMX/BeDMX activity

### Product Line

| Name                      | Modification                                  | Product code      |
|---------------------------|---|-------------------|
| Wireless LED Gate Compact | 2 LED outputs, 1 DMX input, 1 BeDMX port      | WLGC-1-DB2LED     |
|                           | 2 LED outputs, 1 DMX input, 1 BeDMX port, OEM | WLGC-1-DB2LED-OEM |
|                           | 4 LED outputs, 1 DMX input, 1 BeDMX port      | WLGC-1-DB4LED     |
|                           | 4 LED outputs, 1 DMX input, 1 BeDMX port, OEM | WLGC-1-DB4LED-OEM |



Sundrax Electronics,  
6008, First Central 200,  
2 Lakeside Drive, Park Royal, London  
NW10 7FQ United Kingdom  
+ 44 (0) 208 991 33 19  
office@sundrax.com  
www.sundrax.com

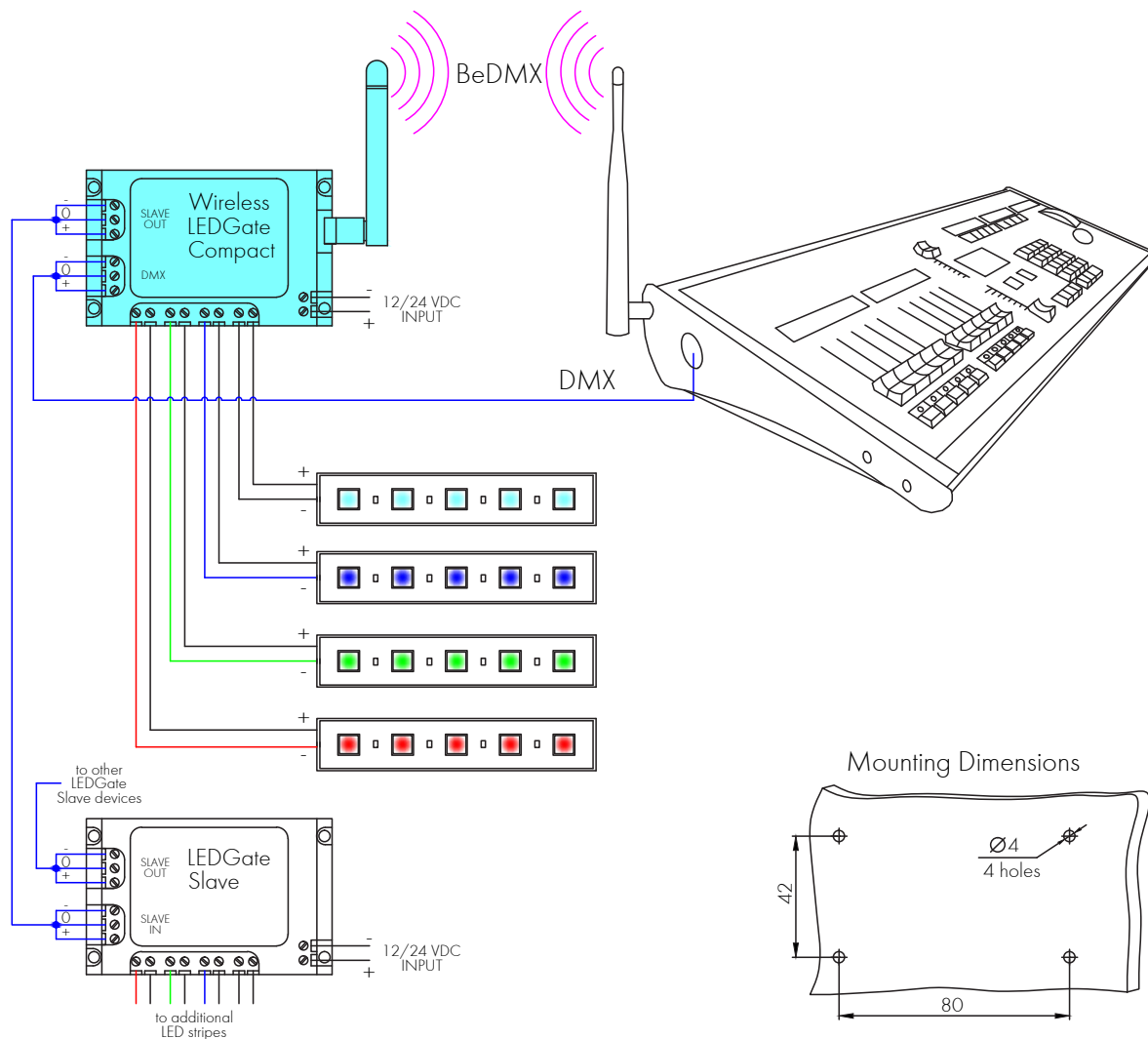
# DMX 512

Lighting Control Series

## Wireless LEDGate Compact

Wireless LED driver

### Connection Scheme



### Accessories

| Name                     |
|--------------------------|
| OEM surface mounting kit |
| Waterproof box (IP65)    |

| Product code  |
|---------------|
| MCA-OEM-1-LGC |
| MCA-1-IP65    |

#### Disclaimer

To the best of our knowledge, the technical data contained herein is true and accurate at the date of issuance and is subject to change without prior notice. No liability accepted for errors or omissions. Always make sure to use the most recent release and contact Sundrax Electronics to verify correctness before placing your order.



Sundrax Electronics,  
6008, First Central 200,  
2 Lakeside Drive, Park Royal, London  
NW10 7FQ United Kingdom  
+ 44 (0) 208 991 33 19  
office@sundrax.com  
www.sundrax.com