

PEGASUS 8" LED FRESNEL

The Altman Pegasus8 Fresnel is an 8-inch white output LED fresnel that is both Mains Dimmable and DMX controlled all in one luminaire. Pegasus replicates the soft light output that is expected from a theatrical or studio fresnel. Under 150 Watts the Pegasus 8 Fresnel meets the output of its 750 Watt incandescent counterpart.

Under Mains Dim Control these fresnels can plug directly into your theatrical phase-cut dimmers whether they are forward or reverse phase, and have been specially designed to replicate the smooth dimming curve of their incandescent twin. A 120/230 switch on the back of unit allows you to set the dimming curve for both 120 VAC and 230 VAC dimming systems.

If your lighting system consists of constant power and DMX data then Pegasus is also right choice for you. With the flip of a switch Pegasus converts from Mains Dimmable to a DMX / RDM controlled unit.

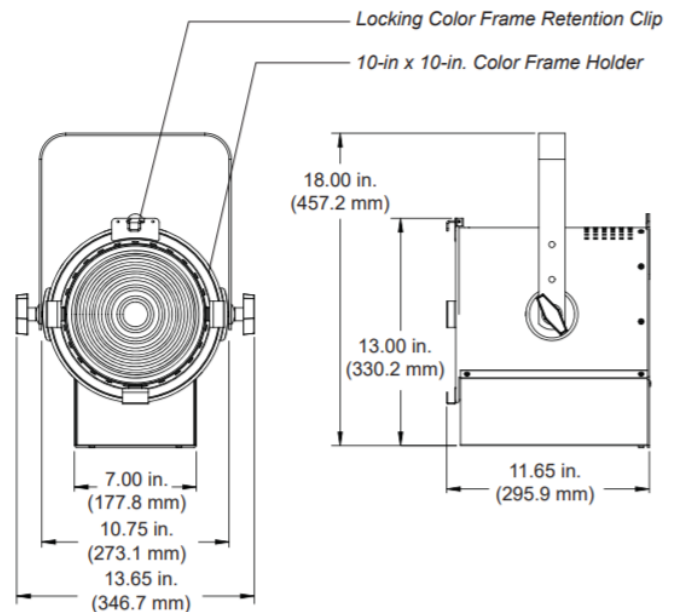
Pegasus is available in a number of different color temperatures from 2700K, 3000K, 4000K, and 5000K. Pegasus boasts a very high CRI, >90, and can be used with standard theatrical gel as well as gels that have been specifically formulated for LEDs.



Pegasus8 Fresnel

Product Features:

- Delivers the output performance of a 750W Incandescent fresnel fixture
- > 11,620 Lumens, LED and lens position dependent
- Mains Dimmable or DMX Controlled
- Available in both 6 and 8-inch models
- Available in four (4) different Color temperatures
- PowerCON & DMX in / thru connections
- Fully RDM Compliant when in DMX mode
- Electronic universal power supply 100-240VAC
- Fully homogenized beam
- High resolution digital dimming for both Mains Dimmable and DMX control
- 15 to 85 degree spot to flood beam spread
- 50,000 hours of life expectancy
- All metal construction
- Spot to flood focus adjustment
- C-Clamp, color frame, and safety cable included
- 11.5 lbs. / 5.22 kg. (including C-Clamp safety cable, and yoke)
- cETLus listed and CE marked for indoor use
- Made in the USA
- Five (5) year and one (1) day warranty
- No cost technical support for the life of your product



Photometric Performance

*Spot @ 10
Degrees*

Distance	(ft)	5.0	10.0	15.0	20.0	25.0	30.0	35.0	40.0	45.0
	(m)	1.5	3.0	4.6	6.1	7.6	9.1	10.7	12.2	13.7
Beam Diameter	(ft)	1' 3"	2' 5"	3' 7"	4' 10"	6'-7"	7'-11"	9'-2"	10'-6"	11'-10"
	(m)	0.4	0.7	1.1	1.5	2.0	2.4	2.8	3.2	3.6
2700K	(fc)	1455.0	363.7	161.7	90.9	58.2	40.4	29.7	22.7	18.0
	(lux)	15655.3	3913.8	1739.5	978.5	626.2	434.9	319.5	244.6	193.3
3000K	(fc)	1530.1	382.5	170.0	95.6	61.2	42.5	31.2	23.9	18.9
	(lux)	16463.6	4115.9	1829.3	1029.0	658.5	457.3	336.0	257.2	203.3
4000K	(fc)	1684.0	421.1	187.2	105.3	67.4	46.8	34.4	26.3	20.8
	(lux)	18119.8	4531.3	2013.8	1132.8	725.0	503.5	369.9	283.2	223.8
5000K	(fc)	1806.0	451.7	200.7	112.9	72.2	50.2	36.9	28.2	22.3
	(lux)	19432.6	4860.0	2160.0	1215.0	777.3	540.0	396.7	303.6	240.0

*Medium @ 35
Degrees*

Distance	(ft)	5.0	10.0	15.0	20.0	25.0	30.0	35.0	40.0	45.0
	(m)	1.5	3.0	4.6	6.1	7.6	9.1	10.7	12.2	13.7
Beam Diameter	(ft)	2' 11"	6'-0"	9' 2"	11' 10"	17'-2"	20'-6"	24'-1"	27'-6"	30'-10"
	(m)	0.9	1.8	2.8	3.6	5.2	6.2	7.3	8.4	9.4
2700K	(fc)	581.5	145.4	64.6	36.3	23.3	16.2	11.9	9.1	7.2
	(lux)	6257.3	1564.3	695.3	391.1	250.3	173.8	127.7	97.8	77.3
3000K	(fc)	620.0	156.6	69.6	39.1	25.1	17.4	12.8	9.8	7.7
	(lux)	6671.2	1684.7	748.8	421.1	269.6	187.2	137.5	105.3	83.2
4000K	(fc)	685.5	171.4	76.2	42.8	27.4	19.0	14.0	10.7	8.5
	(lux)	7376.2	1844.0	819.6	461.0	295.0	204.9	150.5	115.3	91.1
5000K	(fc)	738.0	184.5	82.0	46.1	29.5	20.5	15.1	11.5	9.1
	(lux)	7941.2	1985.3	882.3	496.4	317.7	220.6	162.1	124.1	98.0

*Wide @ 50
Degrees*

Distance	(ft)	5.0	10.0	15.0	20.0	25.0	30.0	35.0	40.0	45.0
	(m)	1.5	3.0	4.6	6.1	7.6	9.1	10.7	12.2	13.7
Beam Diameter	(ft)	6' 2"	11' 2"	17' 1"	21'	36'-3"	43'-6"	50'-9"	58'-2"	65'-4"
	(m)	1.9	3.4	5.2	6.4	11.0	13.3	15.5	17.7	19.9
2700K	(fc)	262.0	65.5	29.1	16.4	10.5	7.3	5.3	4.1	3.2
	(lux)	2819.1	704.8	313.2	176.1	112.8	78.3	57.5	44.0	34.8
3000K	(fc)	284.0	76.9	34.2	17.8	12.3	8.5	5.8	4.8	3.8
	(lux)	3055.8	827.0	367.6	191.1	132.3	91.9	62.4	51.7	40.8
4000K	(fc)	307.5	83.6	37.1	19.2	13.4	9.3	6.3	5.2	4.1
	(lux)	3308.3	899.2	399.6	206.8	143.9	99.9	67.5	56.2	44.4
5000K	(fc)	320.8	80.2	35.6	20.1	12.8	8.9	6.5	5.0	4.0
	(lux)	3451.5	862.8	383.5	215.7	138.1	95.9	70.4	53.9	42.6

Specifications

Materials:	Corrosion-resistant materials and hardware
Control:	Mains dimmable or DMX/RDM
Light Engine:	140W LED Array - Available in 2700K, 3000K, 4000K, or 5000K
Beam Lumens	>11,620 Lumens, LED and lens position dependent
CRI	>90
Rated LED Life:	Array rating >50,000 hours to L70
Input Voltage:	100-240 VAC 50/60 Hz 1.16A @ 120VAC .59A @ 230VAC
Power Factor	> 0.92 @ Full Load (Mains Dimmable Models)
Current Inrush	15Apk Max 1/2 cycle @230VAC
Quiescent Load	12 Watts (DMX Models Only)
LED Engine Cooling:	Active, fan (<19dBa @ .5m)
Environment:	0 - 40°C (32 - 104°F) with humidity of 5-95% non-condensing)
Weight:	11.5 lbs. (5.22 kg) - including C-Clamp, safety cable, and yoke
Body Color:	Black standard, RAL colors available
Compliance:	cETLus listed for indoor use
Warranty:	Five (5) years and One (1) day
Support:	Supported Forever - free phone and online tech support for the life of your product.

Please note that noise levels on mains dim luminaires are subject to the dimming/switching systems in which they are wired. Electrical systems displaying harmonics may increase the audible noise output from the luminaire.

IMPORTANT! For fixtures that are mains dim controlled, do not connect more than four (4) luminaires to the same dimmer. Connecting more than four luminaires to the same dimmer will result in undesired low-end dimmer response. Note: dimmer must be sized appropriately to handle the luminaire load.



Ordering Information

PEG8-(LED ARRAY)-(BODY COLOR)

Model Pegasus8 8-inch LED Luminaire*

LED Array: 2K (2700K), 3K (3000K), 4K (4000K) or 5K (5000K)

Body Color: Black (B) or White (W) or Custom (C)***

For custom colors, consult factory before ordering.

Included Accessories

510	Malleable Iron Pipe Clamp
8-CF	Color Frame
SC-36-BK	36-inch Black Safety Cable with Spring Clip
PCL-PBG-12*	5-foot 20A PowerCON with Edison Connector

Optional Accessories

8-BD-4	4-Way Barn Door
8-SN	Snoot
PCL-2P&G-12-5-*	5-foot 20A PowerCON with Stage Pin Connector
PCL-TLG-12-5-*	5-foot 20A PowerCON with L5-20P Twist-Lock Connector
PCL-BARE-12-5-*	5-foot 20A PowerCON with Bare End Lead
PCTJ-12-5-*	5-foot 20A PowerCON to PowerCON