

ODEC Outdoor Ellipsoidal

The Altman ODEC is an outdoor ellipsoidal with 15°-35° or 30°-55° zoom focus , framing shutters, glass/steel pattern projection capabilities, internal & external mounting options.

The upper housing opens and allows for maximum accessibility during installation, lamp changes or lens adjustments. Two stainless steel safety cables hold the lid securely when the fixture is opened. The lid is secured to the body with four side-mounted link-lock latches that provide a water tight seal. Padlocks of appropriate size can be added for security.

The proprietary highly polished reflector is engineered for use with T6 G12 CDM/CMH lamps for maximum output. The lens focus adjustment is via Teflon guides throughout the focus range. Focus is secured by way of brass thumb screws.

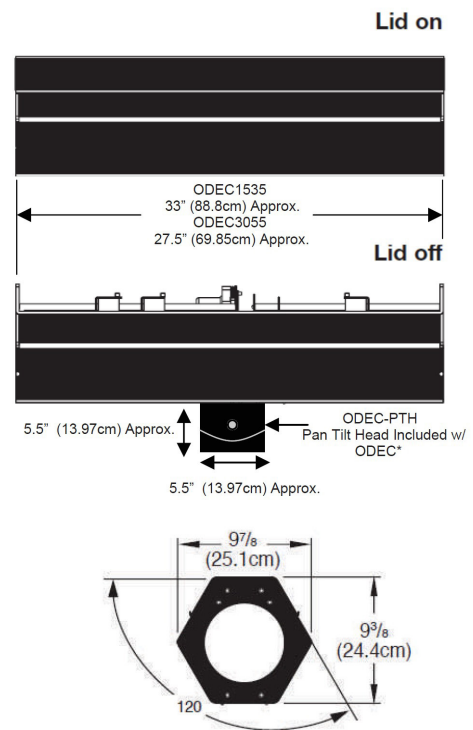
The ODEC comes complete with pattern holder, image clarifying donut & internal color media holder.



ODEC

Product Features:

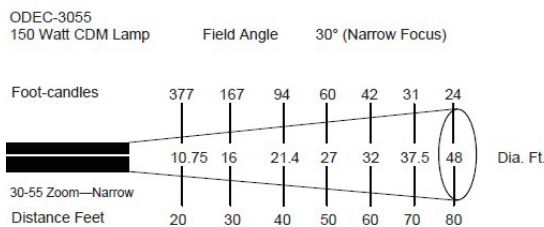
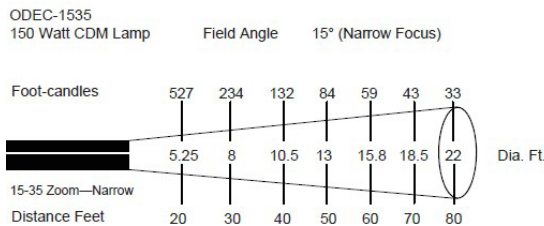
- 15-35 or 30-55 degree zoom capabilities
- Low-friction Teflon® lens glides
- Utilizes 12,000 hour CDM lamps with high CRI
- Low Noise, high efficiency electronic ballast
- Easily adjustable stainless steel shutters
- Included pattern holder accepts standard B-Size glass or steel templates
- Lamp centering and peak / flat field adjustment knobs
- Compact, rugged welded aluminum & stainless steel fabrication
- Link-lock latches for security
- Designed for indoor/ outdoor applications
- Cable entry glands and mounting holes located on bottom of luminaire
- Secured safety loop in fixture body
- cETLus listed for wet locations
- Made in the USA
- No cost technical support for the life of your product



Specifications

- Materials:** Corrosion-resistant materials and hardware
- Head:** Welded aluminum
- Input Rating:** 100-277VAC (auto-ranging), 50/60Hz
- Watts:** 70W (with 70W lamp / ballast); 150W (with 150W lamp / ballast).
- Lamp/Socket:** 70W or 150W UV Block G12 Ceramic Metal Halide lamp. 5kV pulse rated.
- Alignment:** Lamp adjustment is fully adjustable in 3 axis with the use of two heat resistant concentric knobs.
- Lens:** Crown Glass (white plate) with anti-reflector coated surfaces.
- Reflector:** Proprietary curve, specular aluminum.
- Focusing:** Lens movement contained within body, adjustable with brass thumb screws.
- Weight:** 15-35 Degree Models: Approx. 35 lbs. (15.9 kg); 30-50 Degree Models: Approx. 28 lbs. (12.7 kg)
- Construction:** 1/8" heavy-gauge aluminum construction (body and lid).
- Window:** Glass, 0.25-inch (6.35 mm) thick, 6-1/4" diameter.
- Environment:** Indoor/Outdoor; -10° 10 120°F (-23° to 49°C).
- Latches:** Link-lock No. 3, stainless steel; can be secured with padlocks (not supplied, by others).
- Finish:** Black or White. Custom colors - consult factory.

Lamp Information							
Lamp Type	Watts	Efficiency	CCT (K)	Rated Hours	Rated Lumens	CRI	Burn Position
90-70CDM/T6/830	70	>92 LPW	3000	12,000	6,600	82	Any
90-70CDM/T6/942	70	>92 LPW	4000	12,000	6,600	92	Any
90-150CDM/T6/830	150	>93 LPW	3000	12,000	14,000	85	Any
90-150CDM/T6/942	150	>85 LPW	4000	6,000	12,700	95	Any
90-150CDMSA/942* <small>(*short arc)</small>	150	>86 LPW	4200	5,000	12,900	96	Any



Ordering Information

ODEC-(Lens)-(Wattage)-(Body Color)

- Lenses:** 15-35 (1535) or 30-55 (3055)
- Watts:** 70 Watts (70) or 150 Watts (150)
- Colors:** Black (BK) or White (WH) or Custom (CP)

Notes:
Consult factory before ordering custom color.

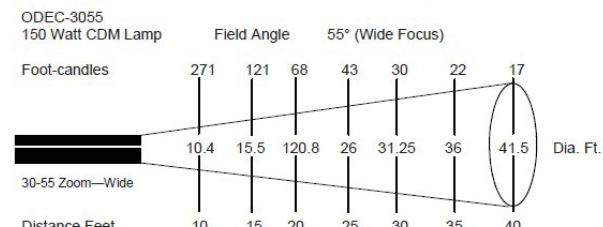
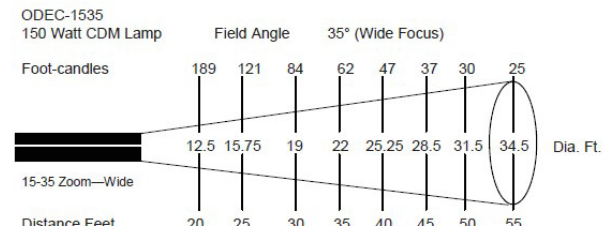
Included Accessories

- ODEC-PTH** Outdoor Ellipsoidal pan/tilt head used for pedestal mount
- SC-36-BK** Black Safety Cable with Spring Clip
- ODEC-CF** Black Outdoor Ellipsoidal Color Frame (Color Frame accepts 6" dia. Glass or Gel media)
- ODEC-DN** Outdoor Ellipsoidal Donut
- ODEC-PH** Outdoor Ellipsoidal Pattern Holder (B-Size Glass or Steel)

Optional Accessories

- ODEC-FRAME** Outdoor Ellipsoidal Rectangular under hung yoke (510-HD Not Included)
- 510-HD** Heavy Duty Malleable Iron: for 1/2" to 2" Pipe, Includes 1/2-13 Bolt (13 lbs.)
- ODEC-HDPM-10-*** Outdoor Ellipsoidal 10" Heavy Duty Pedestal Mount

* Add accessory color as: BK = Black, WH = White, CP = Custom (consult factory for custom colors)



Altman Lighting
1400 East 66th Avenue
Denver, CO 80229 USA
+1 303 500-7072
sales@altmanlighting.com
support@altmanlighting.com

All specifications, descriptions, information, design, etc. contained in this document are subject to change without prior notice. All rights reserved.
4 January 2021 © 2021 Altman Stage Lighting, Inc.