

## LED WORK LIGHT II 90W

The Altman Lighting Work Light II is the ideal solution for any space requiring a high CRI wide spectrum, dimmable work light. The small size and portability allows for placement in just about any venue. The 3000K or 5000K, 90 watt single point source allows for a true flood with soft distribution. The LED Work Light II is outfitted with on board dimming for local control or when set to full can be operated on any Phase cut or Triac dimmer.

The Work Light II can output well over 14,000 lumens and offers a high CRI and soft, even distribution of light, when coupled with the included framed diffuser.

### **Product Features:**

- Designed as a cost effective, high impact LED work light solution
- 3000K or 5000K white, 90 CRI
- 14,000 Lumens (CCT dependent)
- Stippled reflector providing even light distribution
- Black, White or Custom finishes available
- Uniform white light distribution
- Weight: **11 lbs. (4.98 kg)**
- Convection cooled, no fans
- cETLus listed, IP20 rated for indoor use only
- Proudly Made in the USA
- On Board local dim control
- Mains Dim Compatible
- PowerCON™ in and out for daisy-chaining units - Up to 14 fixtures (20A Max) may be linked
- Five (5) year and one (1) day warranty
- No cost technical support for the life of your product
- Includes safety cable, 510 C-Clamp, color frame with diffusing gel and Powercon to Edison cable



*LED Worklight II*



*WorkLight II Photometrics*

**WorkLight II 3000K**

	Lumens
With No Diffuser	10601

Throw Distance	10' (3.05m)	15' (4.57m)	20' (6.10m)	25' (7.62m)	30' (9.14m)	35' (10.66m)	40' (12.19m)
Illuminance (fc)	41	18	10	7	5	3	3
Illuminance (lux)	438	195	109	70	49	36	27

	Lumens
With Diffuser	9255

Throw Distance	10' (3.05m)	15' (4.57m)	20' (6.10m)	25' (7.62m)	30' (9.14m)	35' (10.66m)	40' (12.19m)
Illuminance (fc)	38	17	9	6	4	3	2
Illuminance (lux)	408	181	102	65	45	33	25

**WorkLight II 5000K**

	Lumens
With No Diffuser	14211

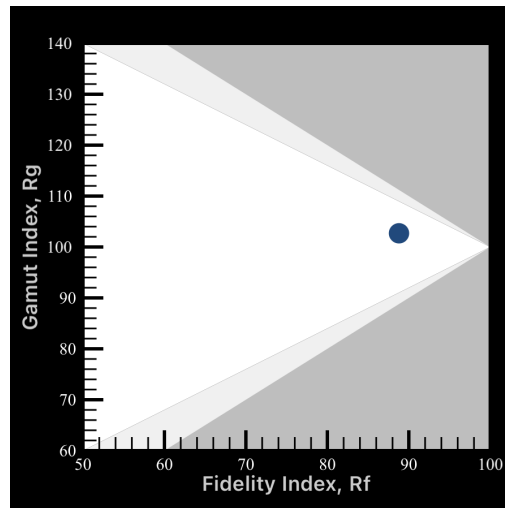
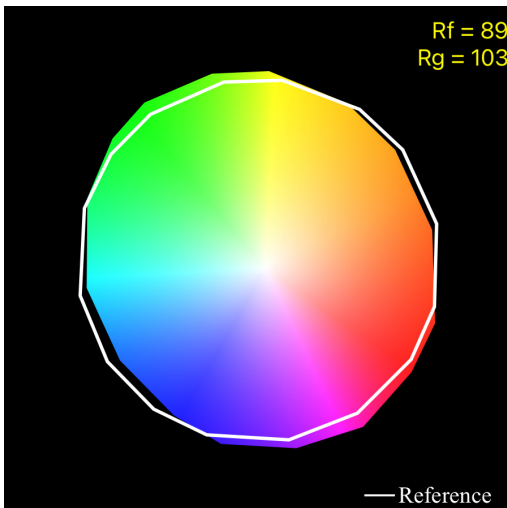
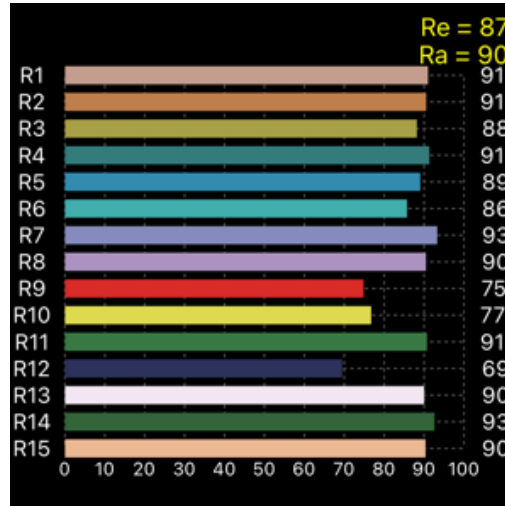
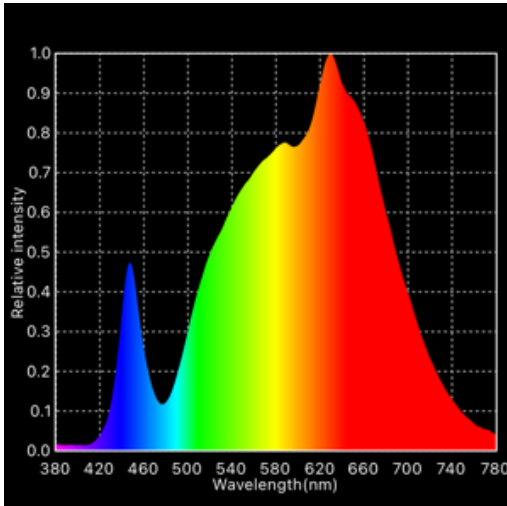
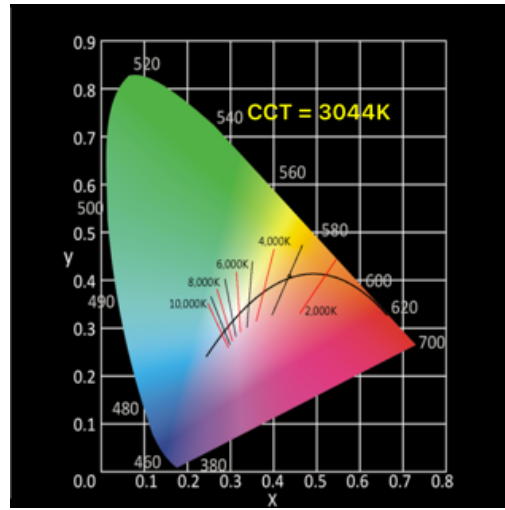
Throw Distance	10' (3.05m)	15' (4.57m)	20' (6.10m)	25' (7.62m)	30' (9.14m)	35' (10.66m)	40' (12.19m)
Illuminance (fc)	50	22	12	8	6	4	3
Illuminance (lux)	533	237	133	85	59	44	33

	Lumens
With Diffuser	12165

Throw Distance	10' (3.05m)	15' (4.57m)	20' (6.10m)	25' (7.62m)	30' (9.14m)	35' (10.66m)	40' (12.19m)
Illuminance (fc)	49	22	12	8	5	4	3
Illuminance (lux)	525	233	131	84	58	43	33

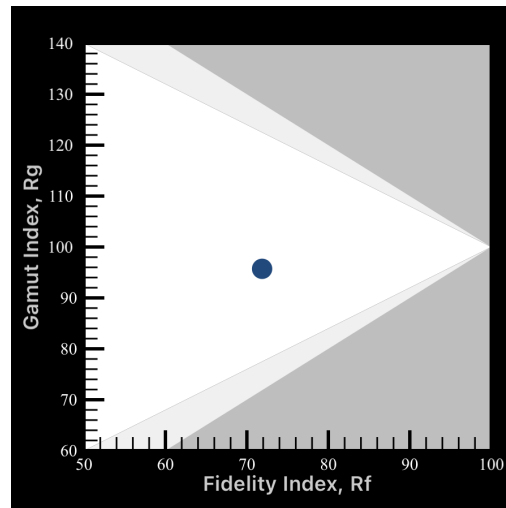
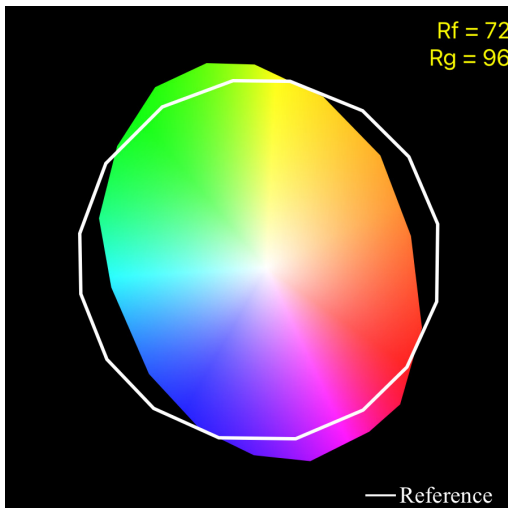
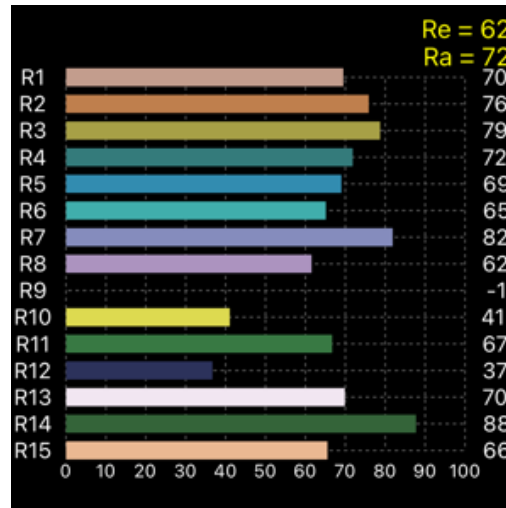
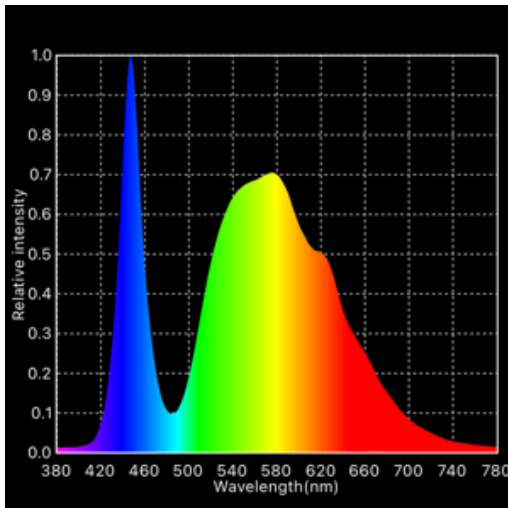
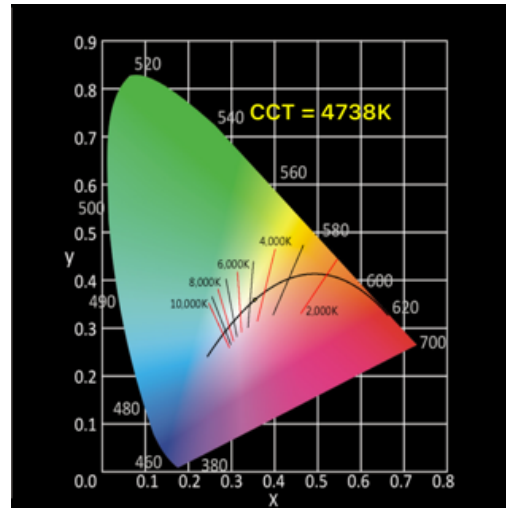
WorkLight II 3000K Photometrics

Worklight II 3000K Photometric Score Card Native Output	
CCT	3044 K
DUV	0.0019
CRI(Ra)	90
CQS	89
TLCI(Qa)	88.2
TM-30-15 Rf	89
TM-30-15 Rg	103

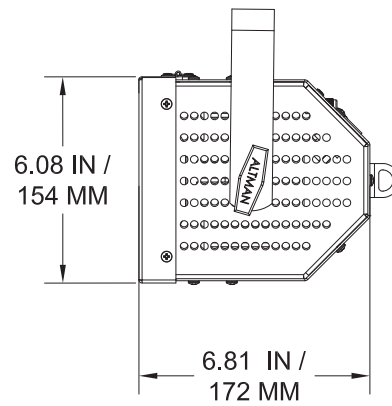
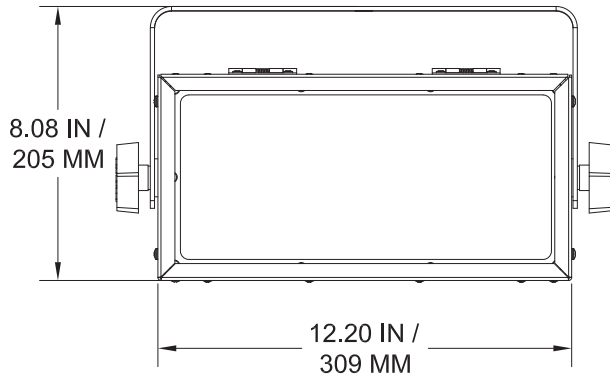
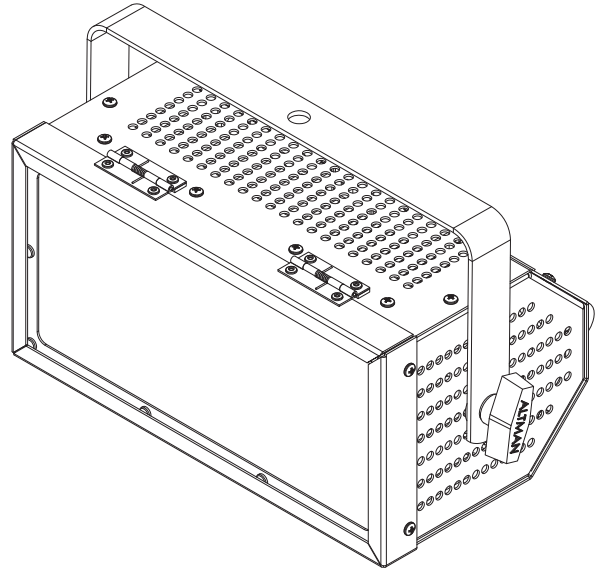
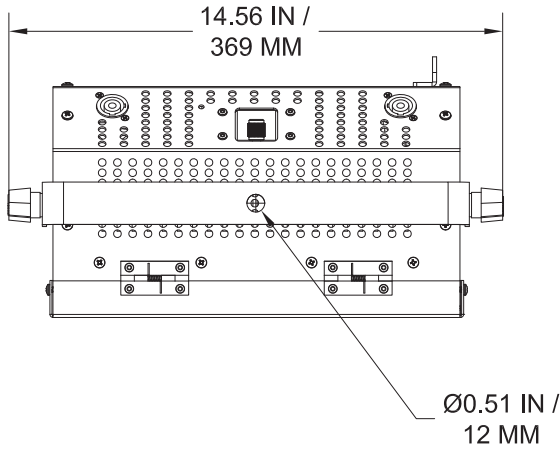


WorkLight II 5000K Photometrics

Worklight II 5000K Photometric Score Card Native Output	
CCT	4738 K
DUV	0.0011
CRI(Ra)	72
CQS	71
TLCI(Qa)	47.5
TM-30-15 Rf	72
TM-30-15 Rg	96



WorkLight II Dimensions



## Specifications

<b>Materials:</b>	Corrosion-resistant materials and hardware
<b>Housing:</b>	Lightweight aluminum construction
<b>Control:</b>	Phase Cut or Triac Dimmer, or Constant power with on board local fader control.
<b>Light Engine:</b>	90W LED Single Source COB - Available in 3000K, or 5000K
<b>Rated Lifespan:</b>	Array rating >50,000 hours to L70
<b>Input Voltage:</b>	100-230 VAC 50/60 Hz
<b>Wattage:</b>	90 Watts
<b>LED Engine Cooling:</b>	Convection, passive
<b>Color Options:</b>	Black or White. Custom colors - consult factory
<b>Environment:</b>	0 - 40°C (32 - 104°F) with humidity of 5-95% non-condensing)
<b>Weight:</b>	11 lbs. (4.98 kg)*
<b>Compliance:</b>	cETLus listed for indoor use
<b>Warranty:</b>	Five (5) years and One (1) day
<b>Support:</b>	Supported Forever - free phone and online tech support for the life of your product.

\* - Weight was taken with the 510 and Color Frame attached to the Fixture

Dimming Notes: The WL-90 is designed as a set it and forget it luminaire that employs a local dim. control and mains dim compatible power supply. When running on mains dim power please make sure that the local dim control is set to full.

The Work Light II employs dimming technology that is compatible with many dimmer types. The overall performance of the mains dim. functionality is based upon the dimmer type and its resolution. The WL II has been designed as a "set it and forget it" luminaire and has a lower dimming resolution than that of our performance mains dim. products. When both the WLI and the Altman Pegasus or Chalice are connected to the same dimmer or type they will display dissimilar dimming curves.

## Ordering Information

### WL-90-(LED Array)-(M)-(Body Color)

<b>Model:</b>	WL-90 LED Work Light
<b>LED Array:</b>	3K (3000K), 5K (5000K)
<b>Control:</b>	Mains Dim (M)
<b>Body Color:</b>	Black (B) or White (W) or Custom (C)***

## Included Accessories

<b>70-3259-**</b>	Color Frame with Diffusing Gel
<b>SC-36-BK</b>	Safety Cable
<b>510</b>	Malleable Iron Pipe Clamp
<b>PCL-PBG-12-5</b>	5' 20A power con to Edison male

\*\*Black (B) or White (W) or Custom (C). Consult factory for custom colors.

## Optional Accessories

<b>WL-BD-BK</b>	Black Work Light Barn Doors
<b>WL-BD-WH</b>	White Work Light Barn Doors
<b>WL-BD-CP</b>	Custom Paint Work Light Barn Doors (Consult factory for custom colors.)
<b>PCL-BARE-12-5</b>	5' 20A PowerCON with Bare End Lead
<b>PCL-2P&amp;G-12-5</b>	5' 20A PowerCON with 2P&G Stage Pin Connector, Male
<b>PCL-PBG-12-5</b>	5' 20A PowerCON with Parallel Blade U Ground (Edison)
<b>PCL-TLG-12-5</b>	5' 20A PowerCON with L5-20P Twist Locking Ground Connector, Male
<b>PCTJ-12-5</b>	5' 20A PowerCON to PowerCon Feed Thru Jumper
<b>PCTJ-12-10</b>	10' 20A PowerCON to PowerCon Feed Thru Jumper
<b>PCTJ-12-15</b>	15' 20A PowerCON to PowerCon Feed Thru Jumper
<b>PCTJ-12-25</b>	25' 20A PowerCON to PowerCon Feed Thru Jumper
<b>PCTJ-COUPLER</b>	PowerCON coupler