

## RECESSED CHALICE 150W LED DOWNLIGHT

The Chalice 150 recessed LED downlight follows the Altman Lighting tradition of lighting quality. Designed specifically for the demands of theaters, churches and public venues, the Chalice 150 is a 145 Watt White LED recessed fixture that is an energy-efficient solution to general lighting needs.

The Chalice 150 addresses and alleviates the typical maintenance routines of difficult-to-access locations. The Chalice 150 uses a single-point source for optimal beam control, and offers a variety of reflector options for ceiling heights from 15 to 50 feet. Its powerful and clean non-pixelated and non-granulated output blends to seamless coverage in the most elegant setting.

Extremely smooth dimming reproduces the comfortable feel of traditional incandescent sources, at a fraction of the power consumption. Available in either Mains Dimming or DMX control allows each fixture to be controlled independently or in groups, from an architectural control system and/or directly from a theatrical control console.

### **Product Features:**

- 145W LED driver
- Maximum lumens: 9670
- 7 interchangeable reflectors
- CCT options 2700K, 3000K, 4000K, or 5000K
- Available in new construction, remodeler, sloped ceiling versions
- DMX or Mains Dimmable
- Push Button DMX Addressing and RDM compatibility
- DMX Pass through
- Single channel high resolution DMX
- Selectable actions on loss of control signal (for DMX models only)
- Available in white, black or custom colors
- cETLus listed for indoor applications
- Proudly made in the USA
- Five (5) year and one (1) day warranty
- No cost technical support for the life of your product



*Recessed Chalice 145W Remodel CDRRM150*

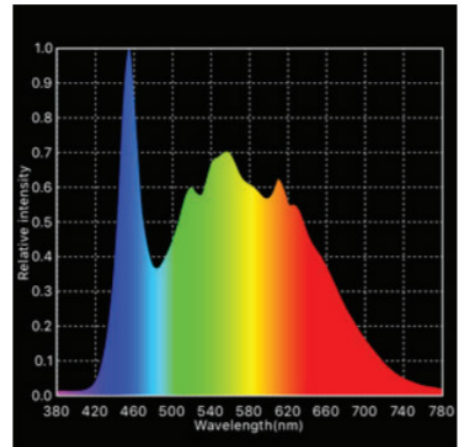
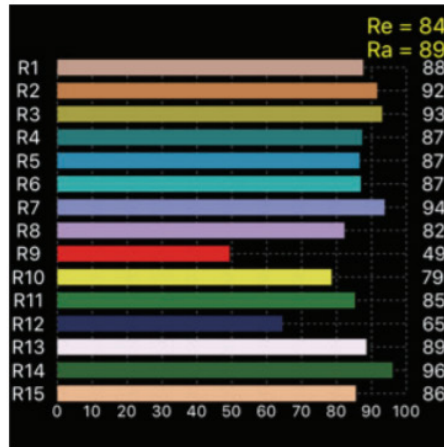


*Recessed Chalice 145W New Construction CDRNC150*

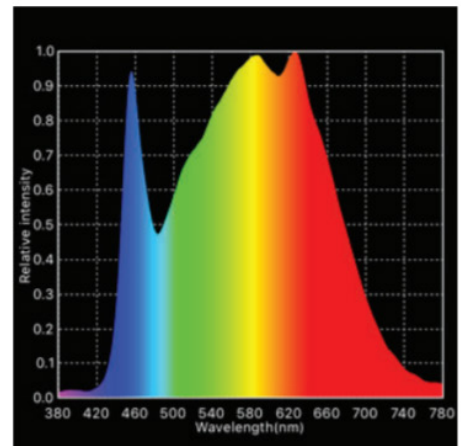
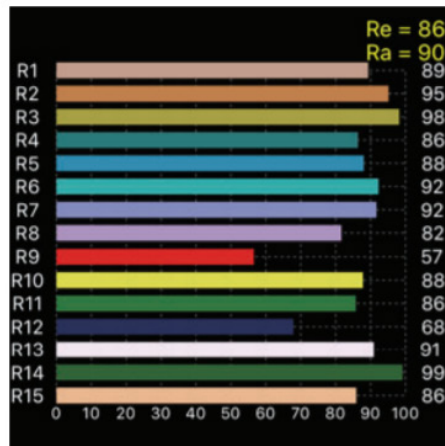


# Photometrics

CHALICE CDR150 PHOTOMETRIC SCORE CARD – 5000K	
CCT	5236
DUV	.0056
CRI	89
CQS	87
RE (R1-15)	84
TLCI (Qa)	89.3
TM-30-15 rf	86
TM-30-15 rg	96



CHALICE CDR150 PHOTOMETRIC SCORE CARD – 4000K	
CCT	3940
DUV	.0034
CRI	90
CQS	89
RE (R1-15)	86
TLCI (Qa)	90.3
TM-30-15 rf	86
TM-30-15 rg	94

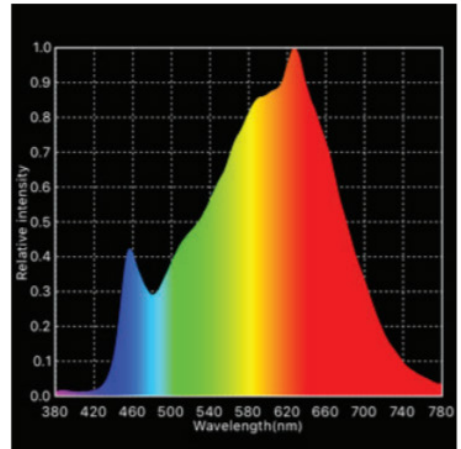
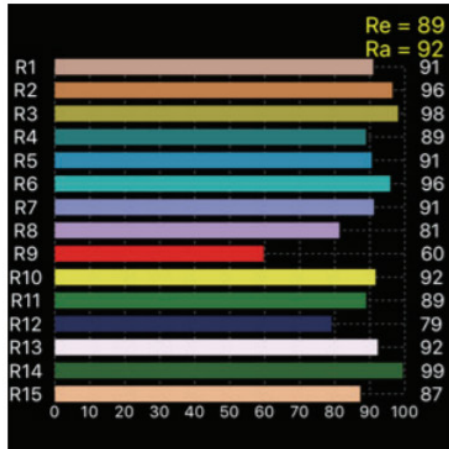


Additional information continued on next page.

# Photometrics

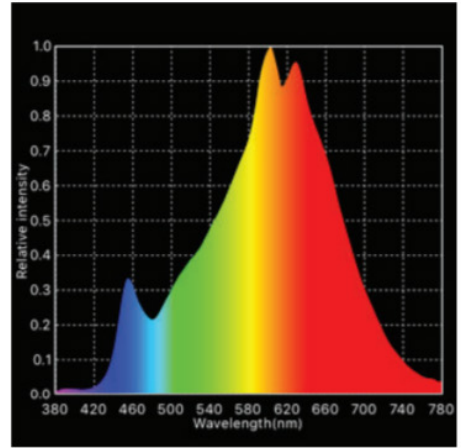
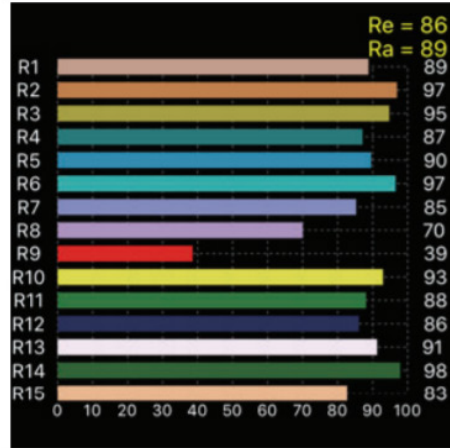
**CHALICE CDR150  
PHOTOMETRIC SCORE  
CARD – 3000K**

CCT	3014
DUV	.0022
CRI	92
CQS	91
RE (R1-15)	89
TLCI (Qa)	92.3
TM-30-15 rf	88
TM-30-15 rg	95



**CHALICE CDR150  
PHOTOMETRIC SCORE  
CARD – 2700K**

CCT	2679
DUV	-0.0015
CRI	89
CQS	89
RE (R1-15)	86
TLCI (Qa)	84.4
TM-30-15 rf	88
TM-30-15 rg	97

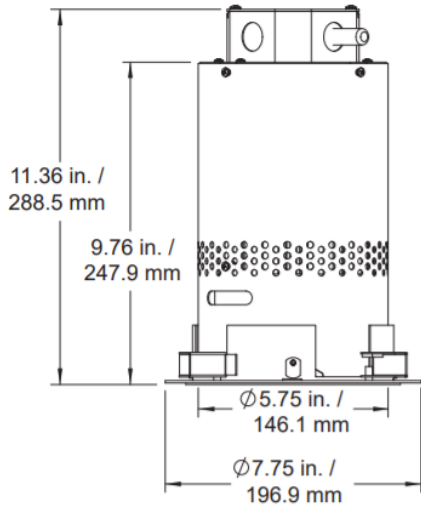


# Photometrics

CCT	Reflector Type	Lumen Output	10'-0" (3.048m)	20'-0" (6.096m)	30'-0" (9.144m)	40'-0" (12.192m)	50'-0" (15.240m)	
5000K	20 Degree Narrow Spot	9670	432	108	48	27	17	fc
			4651	1163	517	291	186	lux
	29 Degree Spot	8488	207	52	23	13	8	fc
			2230	557	248	139	89	lux
	39 Degree Narrow Flood	8694	126	32	14	8	5	fc
			1361	340	151	85	54	lux
	46 Degree Medium Flood	8566	129	32	14	8	5	fc
			1386	347	154	87	55	lux
	51 Degree Wide Flood	8599	94	24	10	6	4	fc
			1014	253	113	63	41	lux
	64 Degree Very Wide Flood	8654	81	20	9	5	3	fc
			871	218	97	54	35	lux
	91 Degree Extra Wide Flood	7963	54	14	6	3	2	fc
			581	145	65	36	23	lux
4000K	20 Degree Narrow Spot	9119	407	102	45	25	16	fc
			4386	1096	487	274	175	lux
	29 Degree Spot	8004	195	49	22	12	8	fc
			2103	526	234	131	84	lux
	39 Degree Narrow Flood	8199	119	30	13	7	5	fc
			1283	321	143	80	51	lux
	46 Degree Medium Flood	8078	121	30	13	8	5	fc
			1307	327	145	82	52	lux
	51 Degree Wide Flood	8108	89	22	10	6	4	fc
			956	239	106	60	38	lux
	64 Degree Very Wide Flood	8161	76	19	8	5	3	fc
			822	205	91	51	33	lux
	91 Degree Extra Wide Flood	7509	51	13	6	3	2	fc
			548	137	61	34	22	lux
3000K	20 Degree Narrow Spot	8789	393	98	44	25	16	fc
			4227	1057	470	264	169	lux
	29 Degree Spot	7715	188	47	21	12	8	fc
			2027	507	225	127	81	lux
	39 Degree Narrow Flood	7902	115	29	13	7	5	fc
			1237	309	137	77	49	lux
	46 Degree Medium Flood	7786	117	29	13	7	5	fc
			1260	315	140	79	50	lux
	51 Degree Wide Flood	7815	86	21	10	5	3	fc
			921	230	102	58	37	lux
	64 Degree Very Wide Flood	7866	74	18	8	5	3	fc
			792	198	88	50	32	lux
	91 Degree Extra Wide Flood	7238	49	12	5	3	2	fc
			529	132	59	33	21	lux
2700K	20 Degree Narrow Spot	8435	377	94	42	24	15	fc
			4057	1014	451	254	162	lux
	29 Degree Spot	7404	181	45	20	11	7	fc
			1945	486	216	122	78	lux
	39 Degree Narrow Flood	7584	110	28	12	7	4	fc
			1187	297	132	74	47	lux
	46 Degree Medium Flood	7472	112	28	12	7	4	fc
			1209	302	134	76	48	lux
	51 Degree Wide Flood	7501	82	21	9	5	3	fc
			884	221	98	55	35	lux
	64 Degree Very Wide Flood	7549	71	18	8	4	3	fc
			760	190	84	48	30	lux
	91 Degree Extra Wide Flood	6946	47	12	5	3	2	fc
			507	127	56	32	20	lux

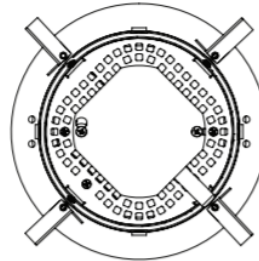
**Dimensional Drawing**

**Remodeler Version**



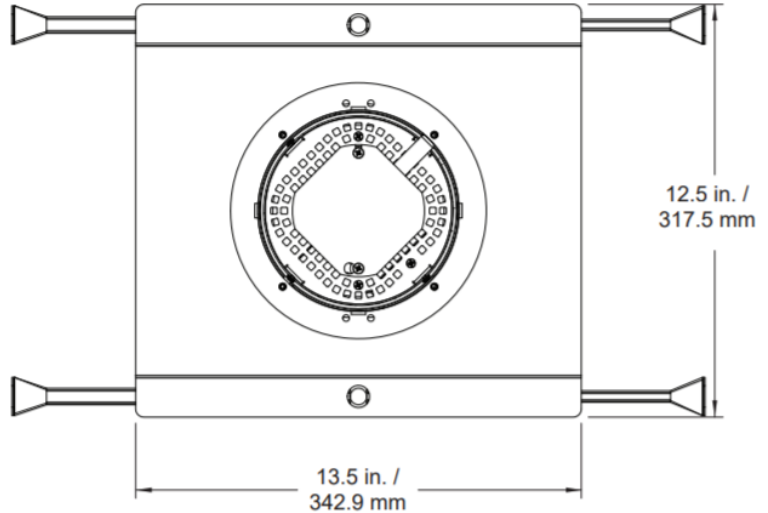
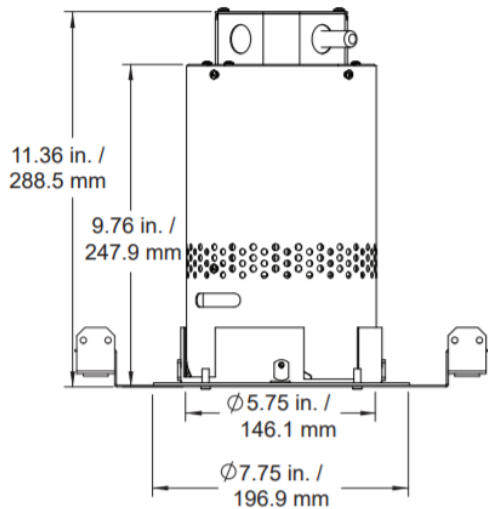
*For drop ceiling applications, you must use the new construction or sloped ceiling type luminaires.*

*Note: Installation hole opening needs to be a minimum of 7-inches but no larger than 7.75-inches in diameter.*



*NOTE: Ceiling (by others) shown for reference only. Ceiling thickness range 0.50 to 1.5-inches. Ceiling material and framework must be sturdy enough to support weight of luminaires.*

**New Construction Version**



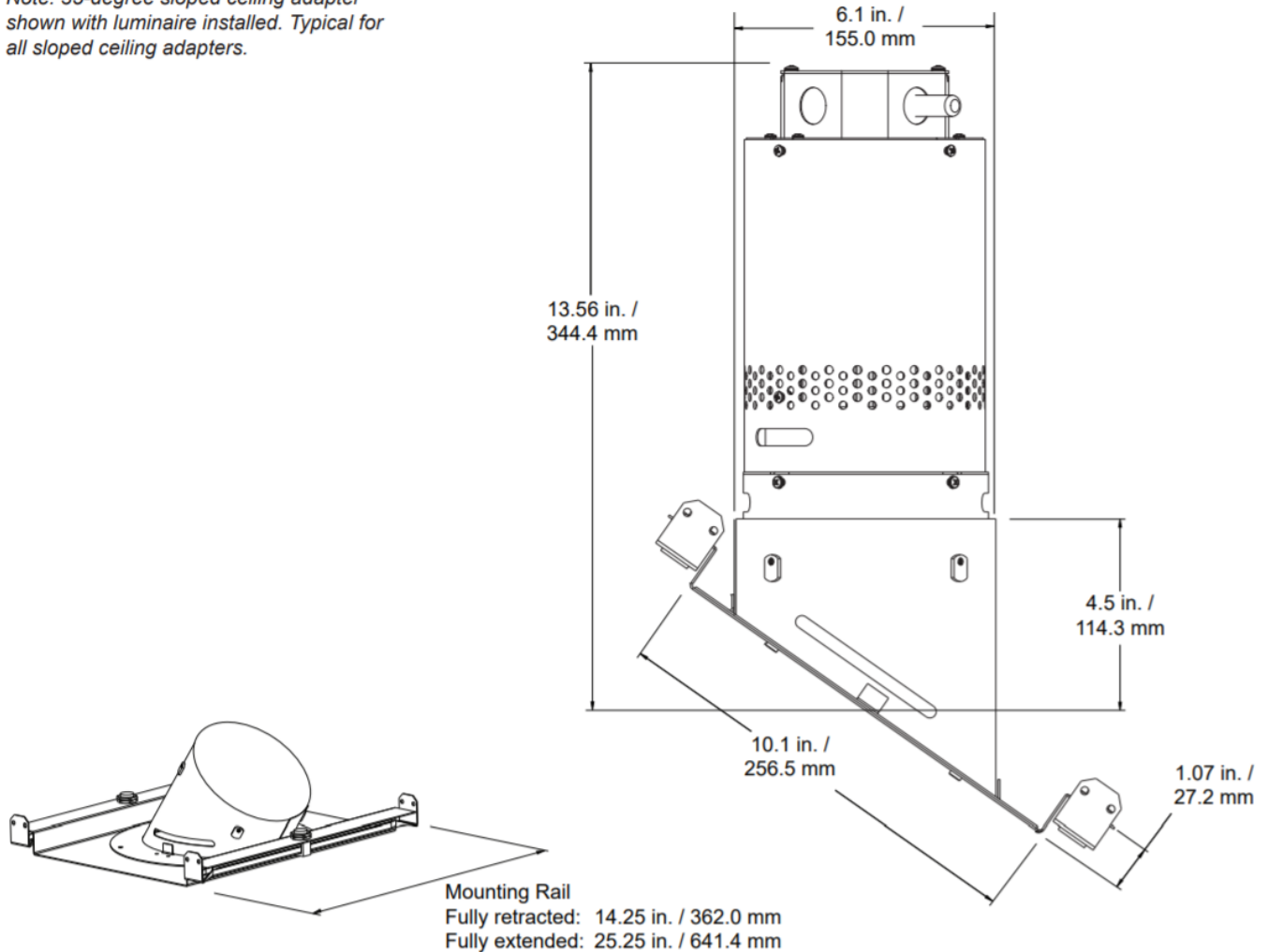
*NOTE: Ceiling (by others) shown for reference only. Ceiling thickness range 0.50 to 1.5-inches. Ceiling material and framework must be sturdy enough to support weight of luminaires.*

## Sloped Ceiling Adapters

### Product Dimensions

Note: 35-degree sloped ceiling adapter shown with luminaire installed. Typical for all sloped ceiling adapters.

For drop ceiling applications, you must use the new construction or sloped ceiling type luminaires.



For best performance in sloped ceiling applications and masking of beam, one of the following reflectors should be used:

Part Number	Description
19-F13379	20 Degree Narrow Spot Reflector, 3 in. / 76.2 mm (high) x 4.68 in. / 118.9 mm (diameter)
19-F13380	29 Degree Spot Reflector, 3 in. / 76.2 mm (high) x 4.68 in. / 118.9 mm (diameter)
19-F13381	46 Degree Medium Flood Reflector, 3 in. / 76.2 mm (high) x 4.68 in. / 119.5 mm (diameter)

# Specifications

<b>Materials:</b>	Corrosion-resistant materials and hardware
<b>Control:</b>	Mains dimmable or DMX/RDM
<b>Light Engine:</b>	145W LED Array - Available in 2700K, 3000K, 4000K or 5000K White / CRI >89
<b>Lumens:</b>	Max 9670. Refer to photometric charts (in this document) for Lumen output of each CCT and reflector type.
<b>Rated LED Life:</b>	Array rating >50,000 hours to L70
<b>Input Voltage:</b>	DMX Models: 100-277 VAC 50/60 Hz Mains Dimmable Models: 100-240 VAC 50/60 Hz
<b>Current Draw:</b>	DMX Models: 1.2A @ 120VAC / 0.68A @ 220VAC / 0.58A @ 277VAC Mains Dimmable Models: 1.11A @ 120VAC / 0.50A @ 240VAC
<b>Current Inrush:</b>	15Apk Max 1/2 cycle @230VAC
<b>LED Engine Cooling:</b>	Forced induction fan
<b>Environment:</b>	0 - 40°C (32 - 104°F) with humidity of 5-95% non-condensing)
<b>Weight:</b>	6.5 lbs. (2.95 kgs.)
<b>Compliance:</b>	cETLus listed for indoor use
<b>Warranty:</b>	Five (5) years and One (1) day
<b>Support:</b>	Supported Forever - free phone and online tech support for the life of your product.

**NOTES:**  
Noise levels on mains dim luminaires are subject to the dimming/switching systems in which they are wired. Electrical systems displaying harmonics may increase the dB Noise output of the luminaire.

Do not connect more than four (4) mains dim luminaires to the same dimmer. Connecting more than four luminaires to the same dimmer will result in undesired low-end dimmer response. Dimmer must be sized appropriately to handle luminaire load.

Maximum number of DMX controlled fixtures is as per installed breaker current breaking capacity and inrush current capacity.

One (1) sloped ceiling adapter is included with each sloped unit ordered. Specify sloped ceiling adapter at time of ordering.

Up to 25% beam clipping will occur, with the use of 51°, 64°, and 90° angle reflectors on the long axis of a sloped ceiling adapter. Please allow for standard 20% to 30% beam overlap when using the sloped ceiling adapter accessory and these reflectors.

For best performance in sloped ceiling applications and masking of beam, 20, 29, or 46 degree reflectors should be used.

PART NUMBER	MODEL	COOLING
CDR150-**-***-***	Chalice 150 Recessed	Fan cooled

# Ordering Information

**CDR150-(MOUNTING)-LED ARRAY-(BODY COLOR)-(CONTROL)-( VOLTAGE)**

<b>Model:</b>	CDR150 Chalice Recessed LED Luminaire
<b>Mounting:</b>	RM (Remodeler), NC (New Construction) and SSA (Sloped Ceiling Adapters)*
<b>LED Array:</b>	2K (2700K), 3K (3000K), 4K (4000K) or 5K (5000K)
<b>Trim Ring Color:</b>	Black (B) or White (W) or Custom (C)**
<b>Control:</b>	DMX Control (D) or Mains Dimmable (M)***
<b>Voltage:</b>	120 (120VAC), 220 (220VAC), or 277 (277VAC)

**NOTES:**  
\*Specify the angle of the sloped ceiling adapter at order. See below for available versions.  
\*\*Consult factory before ordering.  
\*\*\*Mains Dimmable models are only available in 120VAC or 240VAC.

Each luminaire ordered, remodeler, new construction or sloped ceiling adapter, includes the luminaire, its fixture mount, and one reflector. For example, a CDR150NC-2K-W-D-120 includes the CDR150 DMX controlled 2700K light engine, White Trim Ring, New Construction Tray and one reflector. Specify reflector type at time of ordering.

Drop ceiling applications require a new construction or sloped ceiling adapter type luminaire.

# Optional Accessories

<b>19-F13379</b>	20 Degree Narrow Spot Reflector, 3 in. / 76.2 mm (high) x 4.68 in. / 118.9 mm (diameter)
<b>19-F13380</b>	29 Degree Spot Reflector, 3 in. / 76.2 mm (high) x 4.68 in. / 118.9 mm (diameter)
<b>19-F13325</b>	39 Degree Medium Flood Reflector, 1.25 in. / 31.8 mm (high) x 3.22 in. / 81.8 mm (diameter)
<b>19-F13381</b>	46 Degree Medium Flood Reflector, 3 in. / 76.2 mm (high) x 4.68 in. / 119.5 mm (diameter)
<b>19-F13401</b>	51 Degree Wide Flood Reflector, 1.25 in. / 31.8 mm (high) x 3.22 in. / 81.8 mm (diameter)
<b>19-F13402</b>	64 Degree Very Wide Flood Reflector, 1.25 in. / 31.8 mm (high) x 3.22 in. / 81.8 mm (diameter) 91 Degree Extra Wide Flood Reflector, 1.25 in. / 31.8 mm (high) x 3.22 in. / 81.8 mm (diameter)
<b>19-F13838</b>	

Note: One (1) reflector included with each luminaire ordered. Specify reflector type at time of ordering.

<b>CDR70-150RMR</b>	Remodeler Ring Mount CDR70.150
<b>CDR70-150NCT</b>	New Construction Tray Mount CDR70.150
<b>CDR70-150SSA-5*</b>	CDR 70 & 150 5 Degree Sloped Ceiling Adapter
<b>CDR70-150SSA-10*</b>	CDR 70 & 150 10 Degree Sloped Ceiling Adapter
<b>CDR70-150SSA-15*</b>	CDR 70 & 150 15 Degree Sloped Ceiling Adapter
<b>CDR70-150SSA-20*</b>	CDR 70 & 150 20 Degree Sloped Ceiling Adapter
<b>CDR70-150SSA-25*</b>	CDR 70 & 150 25 Degree Sloped Ceiling Adapter
<b>CDR70-150SSA-30*</b>	CDR 70 & 150 30 Degree Sloped Ceiling Adapter
<b>CDR70-150SSA-35*</b>	CDR 70 & 150 35 Degree Sloped Ceiling Adapter

**NOTE:** \* For these optional accessories, specify color Black (B), White (W) or Custom (C). For custom colors, consult factory before ordering.



Altman Lighting +1 303 500-7072  
1400 East 66th Avenue sales@altmanlighting.com  
Denver, CO 80229 USA support@altmanlighting.com

All specifications, descriptions, information, design, etc. contained in this document are subject to change without prior notice. All rights reserved.  
4 January 2021 © 2021 Altman Stage Lighting, Inc.