

CHALICE 100W LED DOWNLIGHT

The 100 Watt Chalice pendant downlight from Altman Lighting is designed for permanent installation and energy savings. Offering all of the benefits and longevity of an LED luminaire, changing lamps in your fixtures has now become a thing of the past.

Adding a fixture into a DMX system control system is easy with the simple three-button DMX addressing that is easily accessible from the top of the fixture - set it once and enjoy a smoothly integrated and energy efficient illumination solution for your area of choice.

The 100W Pendant Chalice fixture is able to be controlled by your DMX Control console & architectural control system; for facilities without a DMX control system the 100W Pendant Chalice is also available in a mains dimmable fixture, or for easy retrofit to a current installation for energy savings.



Chalice 100W LED Pendant

Product Features:

- Available in three mounting options - Pendant, Wall, and Yoke
- Maximum lumens 3874
- 100W LED driver
- Ten interchangeable lenses
- 45° swivel ball ceiling mount
- DMX or Mains Dimmable (note, mains dimmable only available in a single color LED only)
- Push Button DMX Addressing and RDM compatibility
- DMX Pass through
- 8-bit or 16-bit selectable DMX modes
- cETLus listed for indoor applications
- Proudly made in the USA
- Five (5) year and one (1) day warranty
- No cost technical support for the life of your product



Photometrics

Photometric data taken with all channels at full, and reflects the output of the fixture with each of the lensing systems installed. Comparisons between fixtures should only be made with photometric data that incorporates the lensing system to be used. Photometric data collected using a RGBW LED fixture. Please consult Chalice 100 IES files at www.altmanlighting.com.

Performance Per Lens

20° Conical Lens (SS-8CDL-20) 3847 Lumens				
Throw Distance (d)	10' / 3m	15' / 4.6m	20' / 6.1m	25' / 7.6m
Field Size (HxV)	5.2' x 4.7' 1.6m x 1.4m	7.8' x 7.5' 2.4m x 2.3m	10.4' x 9.4' 3.2m x 2.9m	13.0' x 11.8' 4.0m x 3.6m
Illuminance (fc)	234.85	104.38	58.71	37.58
Illuminance (lux)	2526.9	1123.12	631.71	404.36

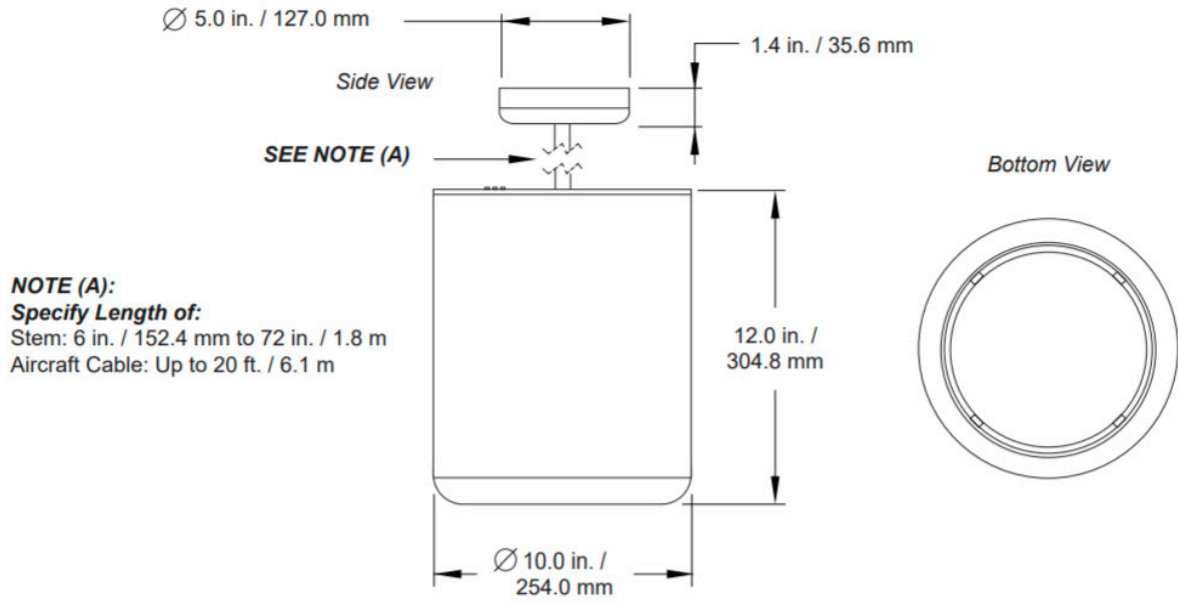
30° Conical Lens (SS-8CDL-30) 3280 Lumens				
Throw Distance (d)	10' / 3m	15' / 4.6m	20' / 6.1m	25' / 7.6m
Field Size (HxV)	6.5' x 6.5' 2.0m x 2.0m	10.0' x 10.0' 3.0m x 3.0m	16.0' x 16.0' 5.0m x 5.0m	23.0' x 23.0' 7.0m x 7.0m
Illuminance (fc)	95.86	46.61	23.97	15.34
Illuminance (lux)	1031	501.52	257.9	165

40° Conical Lens (SS-8CDL-40) 2806 Lumens				
Throw Distance (d)	10' / 3m	15' / 4.6m	20' / 6.1m	25' / 7.6m
Field Size (HxV)	9.5' x 9.6' 2.9m x 2.9m	14.3' x 14.3' 4.4m x 4.4m	19.0' x 19.0' 5.8m x 5.8m	23.8' x 24.0' 7.2m x 7.3m
Illuminance (fc)	37.13	16.5	9.28	5.94
Illuminance (lux)	399.5	177.54	99.8	61.7

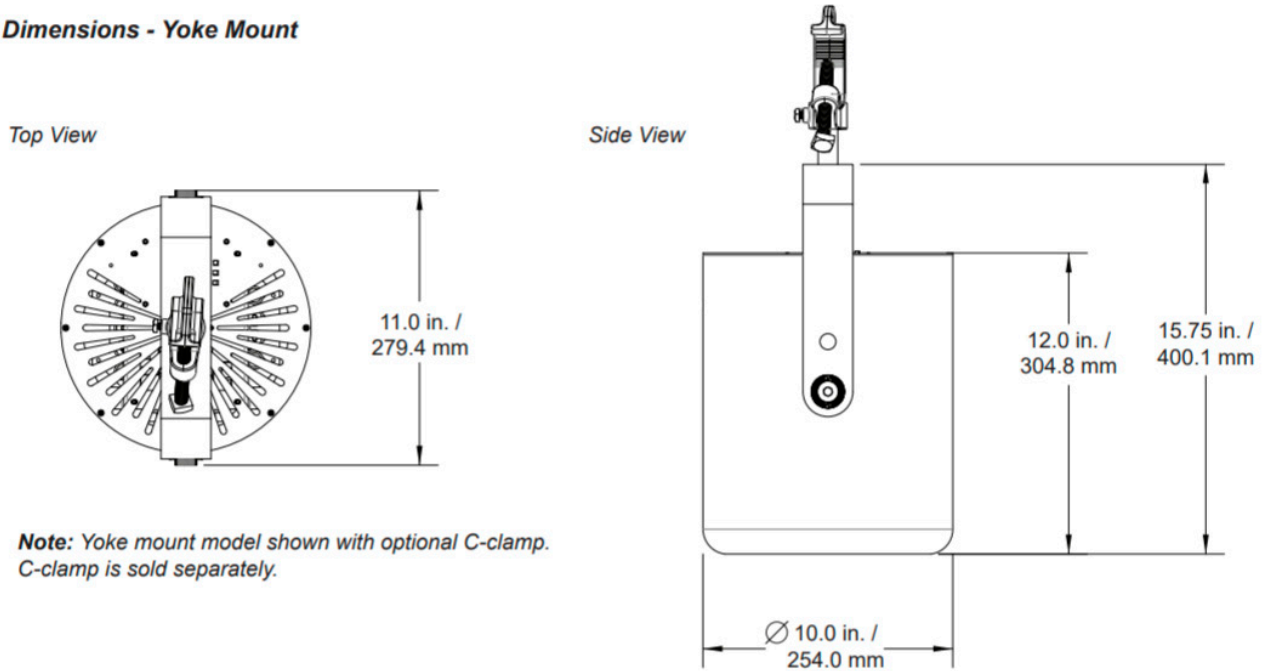
60° Conical Lens (SS-8CDL-60) 3420 Lumens				
Throw Distance (d)	10' / 3m	15' / 4.6m	20' / 6.1m	25' / 7.6m
Field Size (HxV)	11.3' x 12.0' 3.4m x 3.7m	17.0' x 18.0' 5.2m x 5.5m	23.0' x 24.0' 7.0m x 7.3m	28.0' x 30.0' 8.5m x 9.0m
Illuminance (fc)	30	13	7.5	5
Illuminance (lux)	323	140	81	54

P95 Diffusion Lens (SS-8CDL-P95) 3874 Lumens				
Throw Distance (d)	10' / 3m	15' / 4.6m	20' / 6.1m	25' / 7.6m
Field Size (HxV)	3.8' x 3.8' 1.2m x 1.2m	5.7' x 5.7' 1.7m x 1.7m	7.6' x 7.6' 2.3m x 2.3m	9.5' x 9.5' 2.9m x 2.9m
Illuminance (fc)	235	104	59	38
Illuminance (lux)	2,529	1,119	635	409

Product Dimensions - Pendant Mount



Product Dimensions - Yoke Mount



Specifications

Materials: Corrosion-resistant materials and hardware

Control: Mains dimmable or DMX/RDM

Light Engine: DMX Models: 100W LED Array - Available in 3000K to 6000K Tunable White, RGBA, RGBW, Dim to Warm and custom arrays (consult factory before ordering). Mains Dimmable Models: 100W LED Array - Available in with single color, custom arrays only. Consult factory before ordering.

Lumens: Maximum lumens 38

Rated LED Life: Array rating >50,000 hours to L70

Input Voltage: 100-240 VAC 50/60 Hz

Current Draw: 0.83A @120VAC, 0.42A @ 240VAC

Watts: 100

LED Engine Cooling: Convection, passive

Environment: 0 - 40°C (32 - 104°F) with humidity of 5-95% non-condensing)

Weight: 12 lbs. (5.44 kgs.)

Compliance: cETLus listed for indoor use

Warranty: Five (5) years and One (1) day

Support: Supported Forever - free phone and online tech support for the life of your product.

Please note that noise levels on mains dim luminaires are subject to the dimming/switching systems in which they are wired. Electrical systems displaying harmonics may increase the audible noise output from the luminaire.

IMPORTANT! For fixtures that are mains dim controlled, do not connect more than four (4) luminaires to the same dimmer. Connecting more than four luminaires to the same dimmer will result in undesired low-end dimmer response. Note: dimmer must be sized appropriately to handle the luminaire load.

PART NUMBER	MODEL	COOLING
CDP100-*_*_*_*_*_*	Chalice 100 Pendant	Convection
CDA100-*_*_*_*_*_*	Chalice 100 Aircraft Cable	Convection
CDW100-*_*_*_*_*_*	Chalice 100 Wall	Convection
CDY100-*_*_*_*_*_*	Chalice 100 Yoke	Convection

Ordering Information

CDA100-(LED ARRAY)-(BODY COLOR)-(CONTROL)- (VOLTAGE)
Model CDA100 Chalice Pendant Aircraft Cable LED Luminaire*

CDP100-(LED ARRAY)-(BODY COLOR)-(CONTROL)- (VOLTAGE)
Model CDP100 Chalice Pendant LED Luminaire**

CDY100-(LED ARRAY)-(BODY COLOR)-(CONTROL)- (VOLTAGE)
Model CDY100 Chalice Yoke Mount LED Luminaire

CDW100-(LED ARRAY)-(BODY COLOR)-(CONTROL)- (VOLTAGE)
Model CDP100 Chalice Wall Mount LED Luminaire

LED Array: (RGBA), (RGBW), Tunable White (3K6K), Dim to Warm - 3/4:3k 1/4:Amber (DTW), or Custom (C)***

Body Color: *Black (B) or White (W) or Custom (C)****

Control: DMX Control (D) or Mains Dimmable (M)

Voltage: 120 (120VAC), 220 (220VAC)

NOTES:
 * Mounting: Maximum length for Aircraft cable = 20'-0" (6.1 m)
 ** Mounting: Minimum length of Pendant = 6"(152mm). Custom stem lengths available. Consult factory before ordering.
 *** DTW models need 4 channels of DMX. Fade must be programmed.
 **** Consult factory before ordering.

Accessories

18-0110 Very Narrow Spot Lens
18-0111 Narrow Flood Spread Lens
18-0112 Medium Flood Spread Lens
18-0113 Wide Flood Spread Lens
18-0114 Extra Wide Flood Spread Lens
SS-8CDL-20 20° Beam Angle Lens
SS-8CDL-30 30° Beam Angle Lens
SS-8CDL-40 40° Beam Angle Lens
SS-8CDL-60 60° Beam Angle Lens
SS-8CDL-P95 P95 Diffusion Lens
NOTE: When using diffusers (20°, 30°, 40°, 60° and P95) please allow for a minimum throw distance of 10'-0" (approximately 3m) for color uniformity.

CDP100-SN-* Full Snoot
CDP100-HSN-* Half Snoot
CDP100-CBSN-* Cross Baffle Snoot
510 Malleable Iron Pipe Clamp
SC-36-BK 36" Black Safety Cable with Spring Clamp
SC-36-WH 36" White Safety Cable with Spring Clamp
CDP-STEM-72 72" stem length addition**

NOTE: * Specify color Black (B), White (W) or Custom (C). For custom colors, consult factory before ordering.
 ** Added 72" stem length including 3/8" IPS Coupler, & 72" of added wiring. Maximum of 364" which is 4 stem additions per fixture.



Altman Lighting +1 303 500-7072
 1400 East 66th Avenue sales@altmanlighting.com
 Denver, CO 80229 USA support@altmanlighting.com

04 January 2021 © 2021 Altman Stage Lighting, Inc.
 All specifications, descriptions, information, design, etc. contained in this document are subject to change without prior notice. All rights reserved.