

VARI*LITE

VLZ PROFILE



The ideal replacement solution to the VL3000 Series spot or any other 1,000W to 1,500W lamped professional moving spot light.

The Vari-Lite VLZ Profile is a dedicated profile luminaire utilizing the latest high output white LED sources to produce a staggering 24,000 lumens projected from a 140mm front lens.

The Enhanced Fan control system allows users to choose one of 4 different fan levels to match the output they require for their show, remotely from their console. The familiar CMY-CTO color system creates stunning, seamless mixed colors. The dual fixed color wheel with linear control gives access to Vari-Lite colors and split color combinations. Color shake and color wheel spin control have also been added to the mix.

Both mid-air and high quality projection of images are achieved by the 2 gobo wheels loaded with Vari-Lite exclusive gobo patterns. An additional continuously indexing or rotatable animation wheel further enhances the projected effect. Fitted with both an iris and a 4-blade framing system, giving the operator full beam-shaping control. Hard to soft edge focusing is achieved via the 16-bit focus control channel and focus zoom. Racking can be selected remotely via the lighting console. The beam softness can be controlled via the 3-way frost control.

From concerts to opera, the combination of the color and beam control will make this the go-to professional moving profile luminaire for multiple large entertainment applications

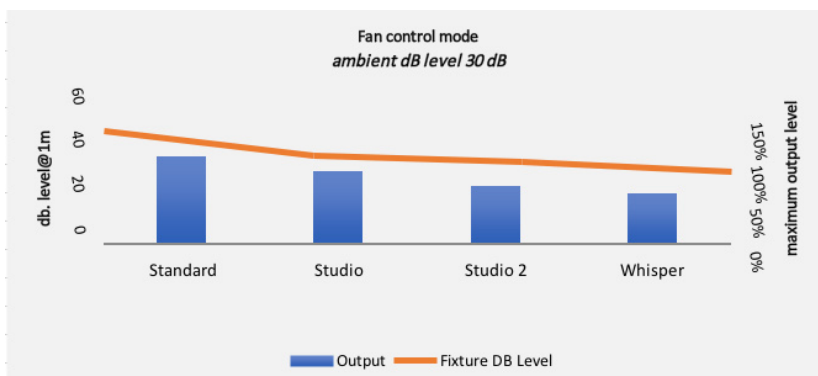
VLZ PROFILE

FEATURES & BENEFITS

- 24,000 lumen output.
- Wide zoom range 8-50° zoom.
- High quality image projection via 140mm (5.5”) front lens.
- Multiple fan level controls:
 - Standard
 - Studio
 - Studio 2
 - Whisper
- Camera friendly - separate frequency and gamma control of LED array.
- 16-bit dimmer control with 4 selectable curves.
- Full color mixing and color effects CYM + CTO 1 color wheel, 6 fixed colors, shake and wheel spin functions.
- Projection and mid-air effects:
 - Gobo wheel 1: 7 interchangeable fully rotating and indexing gobos
 - Gobo wheel 2: 7 interchangeable fixed gobos.
- Multi beam effects 3 facet prism.
- Beam edge softening - 3-way frost control.
- Texture effects animation wheel with continuous indexable / rotation.
- Beam shaping control, iris and framing shutter system 4 blade with independent control and frame rotation $\pm 50^\circ$ either side of center.

VLZ PROFILE FAN CONTROL MODES

Mode	Output	Ambient	Fixture dB level	Distance
Standard	100%	30	51.8 dB	1m / 3.3ft
Studio	83%	30	41.0 dB	1m / 3.3ft
Studio 2	67%	30	37.8 dB	1m / 3.3ft
Whisper	58%	30	33.3 dB	1m / 3.3ft

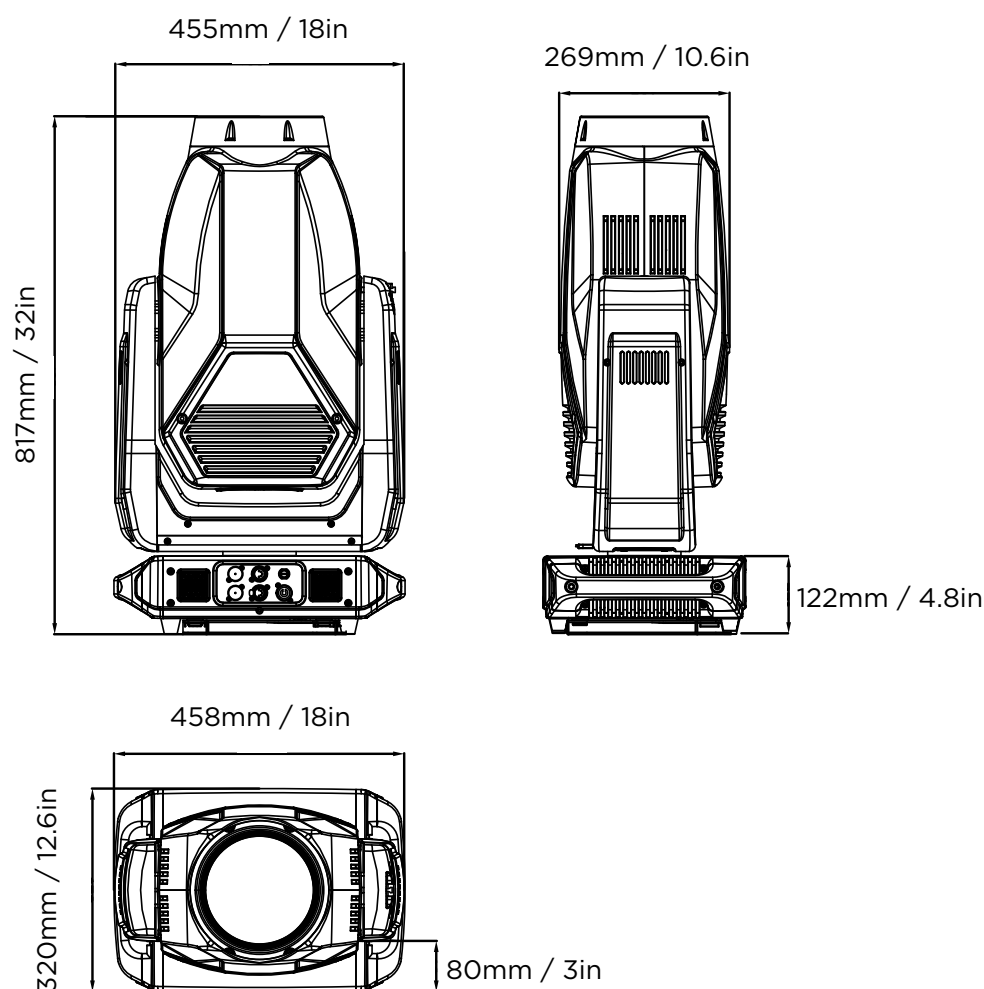


VLZ PROFILE

SOURCE		
Type	LED	
Wattage	620W	
OPTICAL PERFORMANCE		
Lumen output (max.)	24,000	
Color temperature source	8000K	
Color temperature output	7000K	
CRI / Ra	>70	
Dimming system	Electronic 16-bit	
BEAM		
Beam angle	8-50°	
IMAGING		
Gobo 1	Rotating / indexing wheel 7 + open	
Gobo 2	Fixed gobo wheel 7 + open	
Prism	3 facet round	
Independent frost	3 way variable	
Framing shutters / beam shaping	Yes	
Iris	Yes	
COLOR		
Color system	CMY, variable CTO 1 x fixed color wheels 6 + open	
MOVEMENT		
Pan / tilt	540° / 270°	
DATA PROTOCOLS		
Controls	DMX512-A / RDM, Art-Net™	
DMX channels	61	
POWER		
Operating voltage	100-240VAC, 50/60Hz	
ENVIRONMENT		
Operating temperature	°C	°F
	-10-45°	14-113°
PHYSICALS		
IP rating	IP20	
Finish	Black	
Construction	Metal frame, engineering plastic covers	

VLZ PROFILE

DIMENSIONS		mm	in
H x W x L		458 x 316 x 796	18 x 12.4 x 31.3
Hanging centers		687	27.875
WEIGHT		kg	lb
Weight		42.4	93.5
WARRANTY & APPROBATION			
Warranty		2 years	
Approvals / listings		CE, ETL, UL, FCC CSA, RoHS, ISO 9001	





VLZ PROFILE

VLZ PROFILE	ORDER CODE
Vari-Lite VLZ automated LED Profile, (framing shutters) with input power powerCON connector AC100-240V	26-105-0002-00
Luminaire programing kit	PEGASUS

© 2018 Signify Holding. All rights reserved.

All trademarks are owned by Signify Holding or their respective owners. The information provided herein is subject to change, without notice. Signify does not give any representation or warranty as to the accuracy or completeness of the information included herein and shall not be liable for any action in reliance thereon. The information presented in this document is not intended as any commercial offer and does not form part of any quotation or contract, unless otherwise agreed by Signify. Data subject to change.

Ref: 26-105-0002-00-SpecSheet-01