

VARI*LITE

VL800 BEAMLINE



The VL800 BeamLine is a linear moving head unit offering a wide variety of unique effects and animation options. Its 12 RGBW LED emitters produce a bright (>3000 lumen) and distinctive, flat sheet of light with a collimated 3.5° beam angle. The unit offers advanced dynamic capabilities with fast, continuous pan and tilt, plus Vari-Lite's exclusive Mega-step and Twist functions on both pan and tilt channels.

The VL800 BeamLine's unique looking optical system and comprehensive RGBW color mixing capabilities are complemented by the possibility for pixel-mapping in 12-zone mode, allowing for the extra dimension of video integration. The VL800 BeamLine is compact and lightweight, designed to maximize performance, reliability and ease of maintenance, and priced to offer customers a fast and high return on investment.

VL800 BEAMLINE

FEATURES & BENEFITS

- Linear strip moving light
- Compact and lightweight
- 12 x RGBW LED emitters
- >3000 lumen output
- 3.5° beam angle
- Pixel-mapping
- Continuous pan and tilt
- Mega-step and Twist effects
- Fast, repeatable synchronized movement

SOURCE

Type	LED
Wattage	12 x 40W
Source CCT	Variable

OPTICAL PERFORMANCE

Output lumens	>3000
CRI / Ra	>90
Output CCT	2700-8000K
RGBW full Lux @ 5m / 16.4ft	13,370
RGBW full Lux @ 10m / 32.8ft	3,343

BEAM

Beam angle	3.5° beam / 5.5° field angle
-------------------	------------------------------

COLOR

Color mixing type	RGBW
Color presets	58 preset colors and chases

MOVEMENT

Pan	540° / Continuous spin
Tilt	270° / Continuous spin
Pan / Tilt speed	1.3s / 1.1s

VL800 BEAMLINE

NOISE LEVELS

1m Full operation - full output db	47db
1m Idle - full output db	47db

POWER

Range	100-240V / 50/60HZ
Connector type	TrueOne powerCON Input and Thru
Max wattage	550W

DATA CONNECTIONS

DMX (RDM)	5 Pin XLR input and Thru
RJ45 Data Point	In

DATA PROTOCOLS

DMX-512 /RDM	Yes - 8 or 16 Bit color control 1, 3, 12 Zones
---------------------	--

PHYSICALS

IP rating	IP20
Finish	Black
Construction	Metal frame, engineering plastic covers
Hanging	Omega clamps

DIMENSIONS

	mm	in
H x W x D (max)	240 x 600 x 335.5	9.5 x 23.6 x 13.2

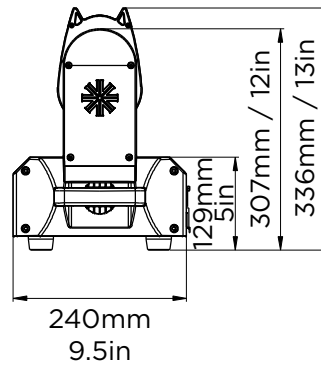
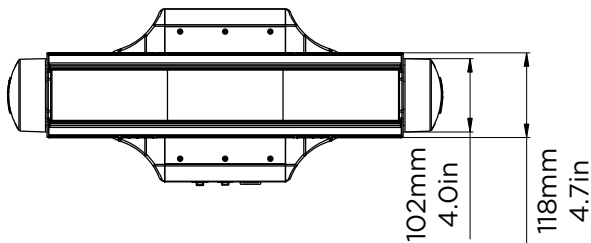
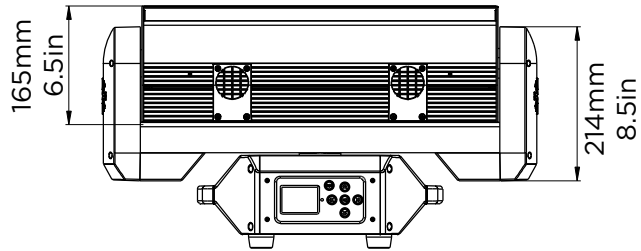
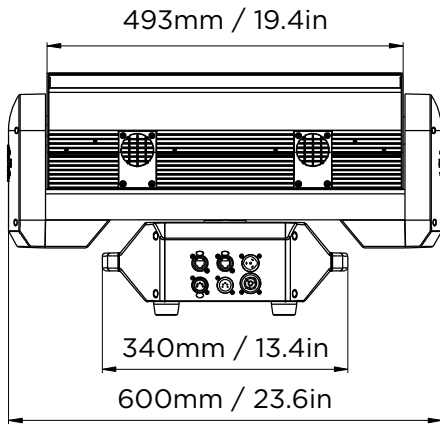
WEIGHT

	kg	lb
Weight	14.5	32

WARRANTY & APPROBATIONS

Warranty	2 years
Approvals / listings	CE, ETL, UL, FCC CSA, RoHS, ISO 9001

VL800 BEAMLINE



VL800 BEAMLINE

ORDER CODE

Vari-Lite VL800 BeamLine fixture
c/w 2 x Omega clamps and TrueOne powerCON input connector

88-105-7290-00

Luminaire programming kit

PEGASUS

© 2018 Signify Holding. All rights reserved.

All trademarks are owned by Signify Holding or their respective owners. The information provided herein is subject to change, without notice. Signify does not give any representation or warranty as to the accuracy or completeness of the information included herein and shall not be liable for any action in reliance thereon. The information presented in this document is not intended as any commercial offer and does not form part of any quotation or contract, unless otherwise agreed by Signify. Data subject to change.

Ref: 88-105-7290-00-SpecSheet-01