

# VARI\***LITE**

## VL1100 LEDHP



The future is here. The new VL1100 LEDHP delivers high quality light and consistent color reproduction, making it the discerning lighting designer's first true alternative to the traditional Arc source in a moving head fixture.

With its unique LED engine delivering high-CRI output and dimming with a consistent color temperature throughout the curve, and an innovative hybrid cooling system smoothly optimising the balance between light output and noise, the VL1100 LEDHP brings seamless new possibilities to a designer's favorite.

## VL1100 LEDHP

### FEATURES & BENEFITS

- Exclusive low-energy LED engine
- High CRI light output
- Color reproduction consistent with existing VL1100 Arc
- Consistent color temperature throughout dimming curve
- Hybrid liquid/forced air cooling system
- User definable control of output/noise ratio
- 4-blade framing system ('S' version)
- 16-leaf Iris ('I' version)
- CMY color mixing system
- Continuously variable zoom range 19°-36°: super zoom angles to 70°
- Variable fan control

#### SOURCE

<b>Type</b>	LED
<b>Wattage</b>	445W

#### OPTICAL PERFORMANCE

<b>Lumen output (boost mode)</b>	17028
<b>Color temperature</b>	6400K
<b>CRI / Ra</b>	>69
<b>Dimming system</b>	8-bit / 16-bit

#### BEAM

<b>Beam angle</b>	19°-36°-70° (super zoom mode)
-------------------	-------------------------------

#### COLOR

<b>Color system</b>	CMY
---------------------	-----

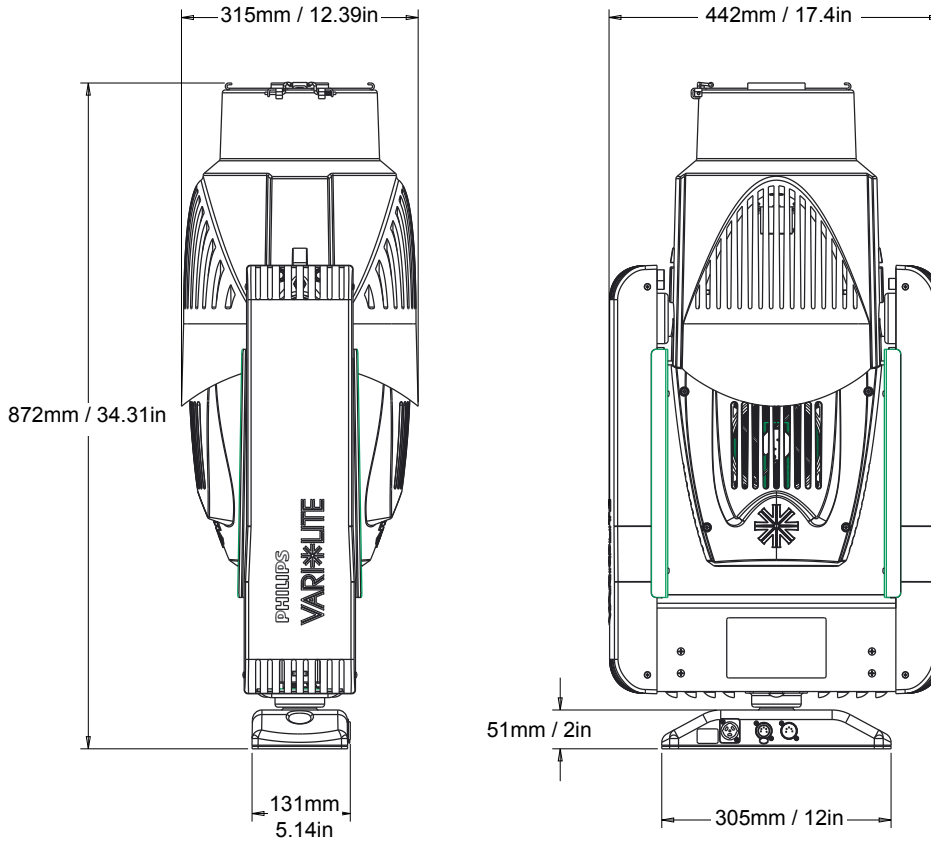
#### IMAGING

<b>Gobo 1</b>	1 x 5 + open rotating interchangeable
<b>Prism</b>	No
<b>Frost</b>	Variable
<b>Framing shutters / beam shaping</b>	Yes (S versions)
<b>Iris</b>	Yes (I version)

## VL1100 LEDHP

MOVEMENT		
<b>Pan / tilt</b>	540° / 270°	
COOLING		
<b>Fan</b>	Yes Hybrid liquid and forced air cooling system	
NOISE LEVELS		
<b>Noise levels - Standard mode (measured in an anechoic chamber @ 19.5dBA sound floor)</b>	Maximum lumen output boost: 40.8dBA Match to VL1100 tungsten output: 26.5dBA	
<b>Noise levels - enhanced control mode</b>	Variable control output 'v' sound level control <26.5-40.8dBA	
DATA PROTOCOLS		
<b>Controls</b>	DMX	
	Standard / Classic Control Iris	19 Standard (I version)
<b>DMX channels</b>	Enhanced Control Iris	22 Enhanced (I version)
	Standard / Classic Control Shutter	27 Standard (S version)
	Enhanced / Classic Control Shutter	30 Enhanced (S version)
POWER		
<b>Range</b>	100-240VAC, 50/60Hz	
<b>Total power</b>	650W	
ENVIRONMENT		
	<b>°C</b>	<b>°F</b>
<b>Operating temperature</b>	0-50°	32-122°
PHYSICALS		
<b>IP rating</b>	IP20	
<b>Finish</b>	Black	
<b>Construction</b>	Metal frame, engineering plastic covers	
DIMENSIONS		
	<b>mm</b>	<b>in</b>
<b>L x H x W</b>	445 x 876 x 660	17.5 x 34.5 x 26
<b>Hanging centers</b>	635	25
WEIGHT		
	<b>kg</b>	<b>lb</b>
<b>Weight</b>	34.5	76
WARRANTY & APPROBATION		
<b>Warranty</b>	2 years	
<b>Approvals / listings</b>	CE, ETL, UL, FCC CSA, RoHS, ISO 9001	

# VL1100 LEDHP



**VL1100 LEDHP**

**ORDER CODE**

Vari-Lite VL1100 LEDHP  
6400K Framing shutter, complete True1 powerCON

**20.1602.0001.02**

Vari-Lite VL1100 LEDHP  
6400K Iris, complete True1 powerCON

**20.1602.0001.12**

Luminaire programming kit

**PEGASUS**

© 2018 Signify Holding. All rights reserved.

All trademarks are owned by Signify Holding or their respective owners. The information provided herein is subject to change, without notice. Signify does not give any representation or warranty as to the accuracy or completeness of the information included herein and shall not be liable for any action in reliance thereon. The information presented in this document is not intended as any commercial offer and does not form part of any quotation or contract, unless otherwise agreed by Signify. Data subject to change.

Ref: 20.1602.0001.02-SpecSheet-01