

VARI***LITE**

VL1100 TUNGSTEN ERS & VL1100 TUNGSTEN D ERS



The Vari-Lite VL1100 luminaires have a 50kHz drive system that quietens the operation of all two-phase motors in the fixtures during movement and while in static positions. They also have three-phase, ultra quiet stepper motors that provide a smooth, timed continuous pan and tilt motion. Additionally, a central bearing system in the gobo wheel reduces noise and ensures smooth operation.

Automated functions include CMY color mixing, rotating gobos, variable diffusion, and a zoom lens that ranges from 19° to 36° for normal imaging and a super zoom function that ranges to 70°.



VL1100 TUNGSTEN ERS & VL1100 TUNGSTEN D ERS

FEATURES & BENEFITS

- 1000W tungsten lamp
- 10,000 lumens
- Excellent imaging projection 19-36°
- Wide zoom range continuously variable field angle in imaging range from 19° to 36°, super zoom angles to 70°
- Super zoom function 36-70°
- Excellent imaging projection 19-36°
- Near silent operation
- CMY color mixing system
- Rotating gobo wheel 5 + open (gobo sold separately)
- Framing shutter (S version) four blade system can frame and crop beam field and gobos. Each individual shutter is capable of translating to beam center while also rotating $\pm 35^\circ$. Entire shutter rotates $\pm 45^\circ$
- Beam size control iris (I version) In addition to the zoom optics, a mechanical iris provides continuous beam size control for both rapid changes and smooth timed beam angle changes
- Convection cooled lamp housing for quiet operation
- Integrated IGBT dimmer on VL1100 Tungsten D ERS version
- Two year limited warranty

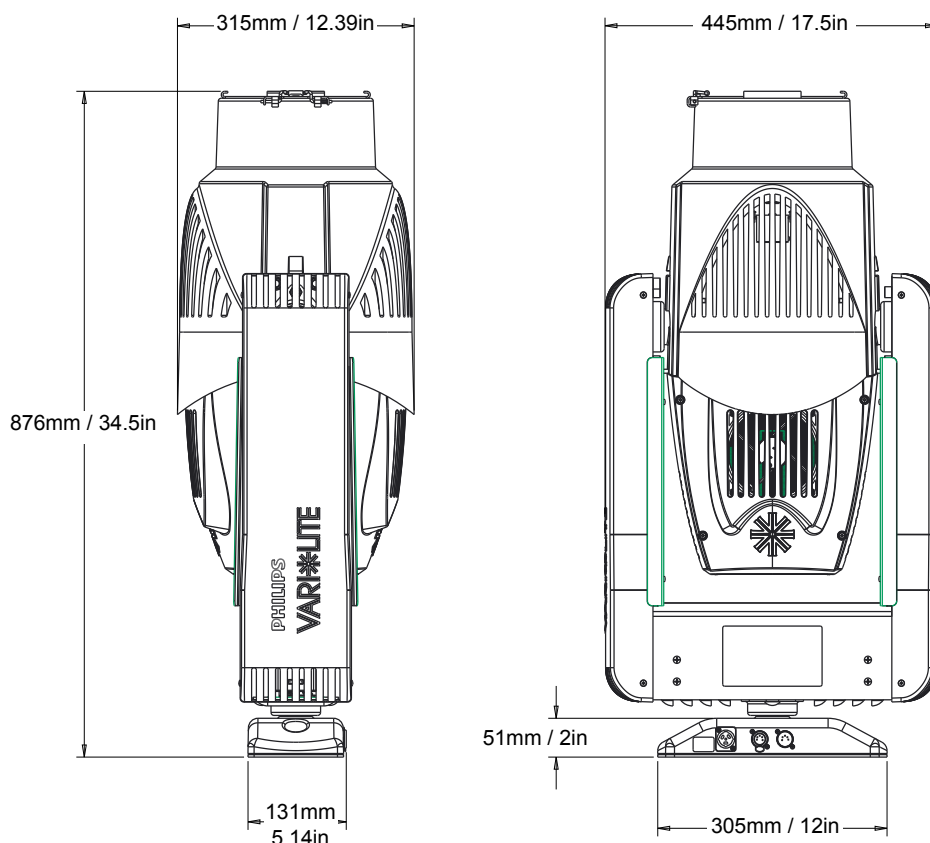
VL1100 TUNGSTEN ERS & VL1100 TUNGSTEN D ERS

SOURCE		
Source	Tungsten halogen	
Lamp cap	G22	
Wattage	1000W	
OPTICAL PERFORMANCE		
Lumen output (max.)	ERS	10,000
	D ERS	10,000
Color temperature	3200K	
CRI / Ra	>90	
Dimming system	D ERS	On-board IGBT dimmer
BEAM		
Beam angle	19-36-70°	
IMAGING		
Gobo 1	1 x 5 + open rotating interchangeable	
Prism	No	
Frost	Variable	
Strobe	No	
Framing shutters / beam shaping	Yes (S versions)	
Iris	Yes (I version)	
MOVEMENT		
Pan / tilt	540° / 270°	
DATA PROTOCOLS		
Controls	DMX512-A	
DMX channels	ERS	26 + 1
	D ERS	27
COLOR		
Color system	CMY	
Color calibration	N/A	
POWER		
Operating voltage	200-240VAC 50/60Hz	

VARI***LITE**

VL1100 TUNGSTEN ERS & VL1100 TUNGSTEN D ERS

ENVIRONMENT		°C	°F
Operating temperature		-29-50°	-20-122°
PHYSICALS			
IP rating		IP20	
Finish		Black	White
Construction		Metal frame, engineering plastic covers	
DIMENSIONS		mm	in
H x W x L		445 x 876 x 660	17.5 x 34.5 x 26
Hanging centers		635	25
WEIGHT		kg	lb
Weight		ERS	32
		D ERS	32.7
WARRANTY & APPROBATION			
Warranty		2 years	
Approvals / listings		CE, ETL, UL, FCC CSA, RoHS, ISO 9001	





VL1100 TUNGSTEN ERS & VL1100 TUNGSTEN D ERS

VL1100 TUNGSTEN ERS	VERSION	FINISH	ORDER CODE
Vari-Lite VL1100 Tungsten ERS	TS	Black	20.9664.0001.02
Vari-Lite VL1100 Tungsten ERS	TS	White	20.9664.0001.02.02
Vari-Lite VL1100 Tungsten ERS	TI	Black	20.9664.0001.03
Vari-Lite VL1100 Tungsten ERS	TI	White	20.9664.0001.03.02

VL1100 TUNGSTEN D ERS	VERSION	FINISH	ORDER CODE
Vari-Lite VL1100 Tungsten D ERS	TSD	Black	20.9664.0001.32
Vari-Lite VL1100 Tungsten D ERS	TSD	White	20.9664.0001.32.02
Vari-Lite VL1100 Tungsten D ERS	TID	Black	20.9664.0001.33
Vari-Lite VL1100 Tungsten D ERS	TID	White	20.9664.0001.33.02

Luminaire programming kit	PEGASUS
---------------------------	----------------

© 2018 Signify Holding. All rights reserved.

All trademarks are owned by Signify Holding or their respective owners. The information provided herein is subject to change, without notice. Signify does not give any representation or warranty as to the accuracy or completeness of the information included herein and shall not be liable for any action in reliance thereon. The information presented in this document is not intended as any commercial offer and does not form part of any quotation or contract, unless otherwise agreed by Signify. Data subject to change.

Ref: 20.9664.0001.02-SpecSheet-01

WWW.VARI-LITE.COM