

Star PAR 750 Watt Tungsten Halogen

Altman Lighting's die-cast Star PAR luminaire is a rugged, lightweight alternative to conventional PAR64 fixtures. The highly polished specular reflector is designed to operate efficiently with the new generation of 750 Watt tungsten halogen lamps.

The fully rotational lens holder easily accepts a variety of lenses, and the lenses are interchangeable tool-free. The removable, two-slot accessory holder has a self-closing, self-locking retaining latch for safety. A stylish modern-industrial appearance and ergonomically designed function controls add to the appeal of this versatile luminaire.



Star PAR Luminaire

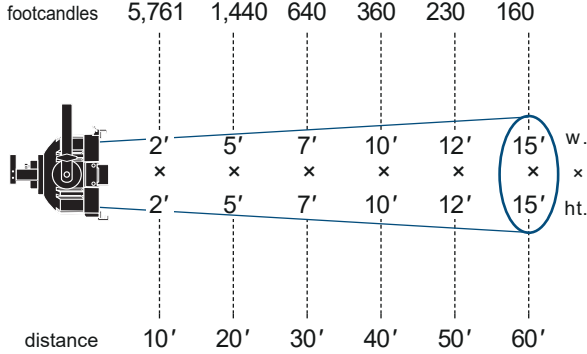
Product Features:

- Rugged die-cast aluminum construction
- Reflector made of high-grade aluminum, polished to a mirror finish
- Four interchangeable lenses: very narrow spot through wide flood provided with fixture
- Low-friction, hi-temp lens holder with plastic handles, fully rotatable via three insulated finger tabs
- Replaceable two-slot accessory holder with self-locking accessory retaining latch
- Protective, insulated, rear-mounted handle serving as chord wrap, stand and focusing aid
- HPL or G9.5 sockets available
- Accepts standard 10-inch accessories
- Color frame and safety cable included
- Three 36-inch Teflon lead wires
- cETLus listed for indoor use
- Made in the USA

Photometric Information

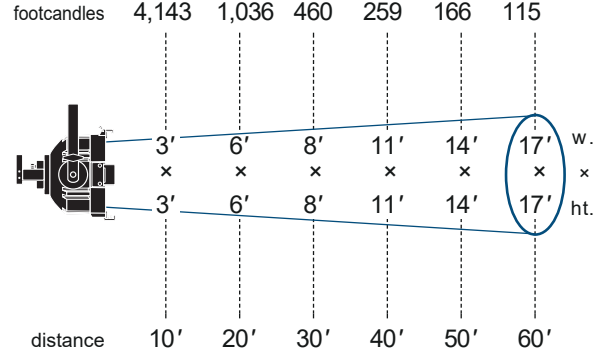
WITH 18-0110 VN SP LENS

Field Angle: 14° x 14° Candlepower: 576,100
 Beam Angle: 6° x 6° Efficiency: 71.3%



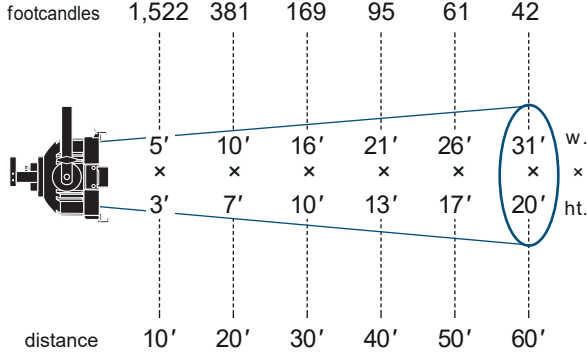
WITH 18-0111 NSP LENS

Field Angle: 16° x 16° Candlepower: 414,300
 Beam Angle: 7° x 7° Efficiency: 66.9%



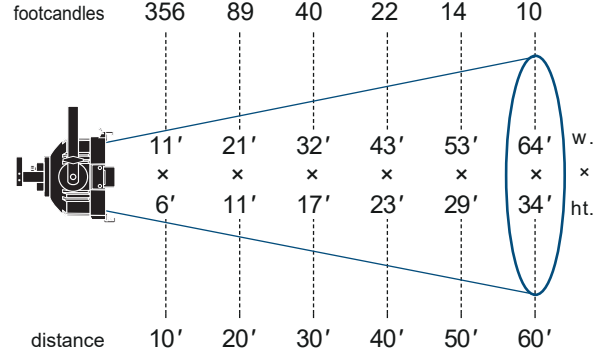
WITH 18-0112 MFL LENS

Field Angle: 19° x 29° Candlepower: 152,200
 Beam Angle: 9° x 19° Efficiency: 66.4%



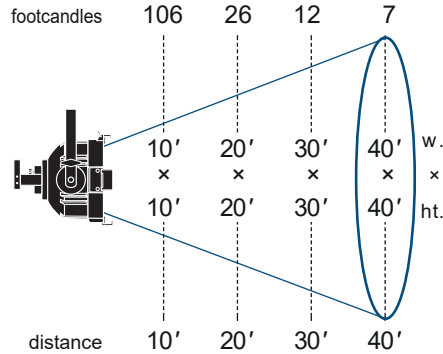
WITH 18-0111 WFL LENS

Field Angle: 32° x 56° Candlepower: 35,600
 Beam Angle: 17° x 40° Efficiency: 56.6%

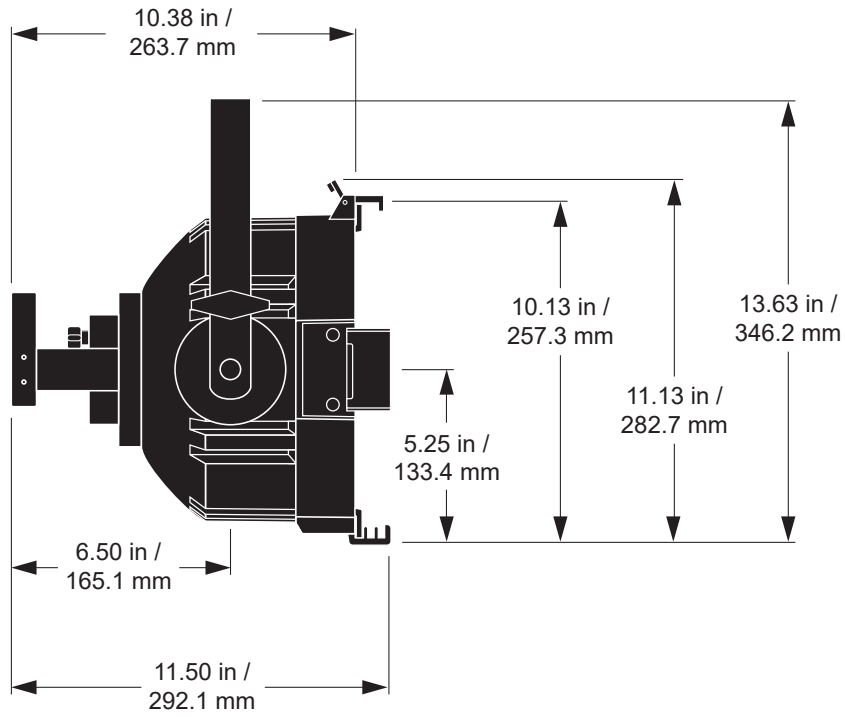


WITH 18-0110 VWFL LENS

Field Angle: 77° x 77° Candlepower: 10,600
 Beam Angle: 53° x 53° Efficiency: 56.1%



Dimensions



Specifications

- Materials:** Construction is corrosion-resistant materials and hardware.
- Housing:** Die-cast aluminum construction.
- Yoke:** Rigid flat steel yoke with locking dog handle.
- Socket:** G9.5 or HPL socket. Tool-free relamping.
- Reflector:** High-grade aluminum, chemically polished and coated.
- Lenses:** Five different beam-shaping lenses available, see performance charts.
- Lens Holder:** Fully rotatable, provided with three insulated finger tabs. Features tool-free lens changing.
- Fixture Focus:** Rear-mounted protective handle.
- Rating:** 120 /240 VAC, 750 Watts (max.)
- Power Cable:** 36-inch Teflon leads encased in black sleeving.
- Finish:** Black epoxy sandtex, electrostatic application.
- Weight:** Approx. 8 lbs. (3.6 kg)

Ordering Information

**120VAC STAR PAR LUMINAIRE
SP-A-(Lamp)* ****

**220VAC STAR PAR LUMINAIRE
SP-A-220-(Lamp)* ****

Notes:

*See lamp options below.

**Each unit is supplied with a black, 10-inch x 10-inch color frame (8-CFB), 36-inch black safety cable (SC-36-BK), and set of four lenses including VNSP, NSP, MFL, WFL (97-0150).

Optional Accessories

- 510 Malleable Iron Pipe Clamp for 3/4"-1 1/2" Pipe
- 8-BD-4 Four Door, 8 Leaf Barndoor, Black
- 8-SN Black Snoot
- SP-BD4 Low profile, 4-Leaf barndoor
- LOUV-10DIA 10-inch Honeycomb Louvre
- 18-0110 Single very narrow spot lens (VNSP)
- 18-0111 Single narrow spot lens (NSP)
- 18-0112 Single medium flood lens (MFL)
- 18-0113 Single wide flood lens (WFL)
- 18-0114 Single extra wide flood lens (VWFL)
- 71-1080-HPL-BK Replacement HPL socket assembly

Lamp Options

<i>Part No.</i>	<i>Wattage</i>	<i>VAC</i>	<i>Color Temp</i>	<i>Rated Life</i>
90-HPL375	375W	115V	3050K	1000 hr.
90-HPL575	575W	120V	3250K	300 hr.
90-HPL575X	575W	115V	3250K	2000 hr.
90-HPL750	750W	120V	3050K	1500 hr.
90-HPL750X	750W	115V	3250K	2000 hr.
90-GLG	375W	115V	3250K	300 hr.
90-HX401	375W	115V	3050K	1500 hr.
90-GLA	575W	115V	3050K	1500 hr.
90-GLC	575W	115V	3200K	400 hr.
90-GLD	750W	115V	3200K	300 hr.
90-GLE	750W	115V	3050K	1500 hr.
90-HPL575-230V	575W	230V	3250K	300 hr.
90-HPL750-230V	750W	230V	3050K	2000 hr.