

SPECTRA STAR PAR 100W LED

The Spectra Star PAR is a 100 Watt PAR Luminaire utilizing high efficiency Philips Luxeon Rebel LED emitters. Featuring a durable, light weight die cast aluminum housing the Spectra Star PAR is available as a pipe mount or Smart Track™ fixture. Designed for theatrical and architectural applications, the SPECTRA Star PAR acts as a true PAR lighting fixture with tools-free exchangeable VNSP, NSP, MFL, WFL, and (optional) XWFL Lenses.

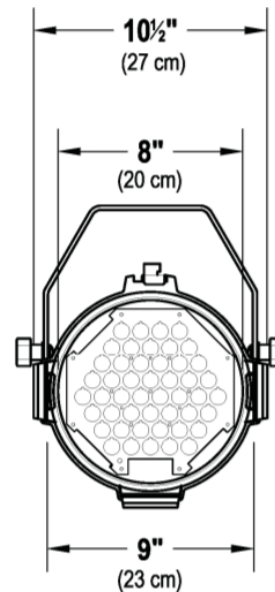
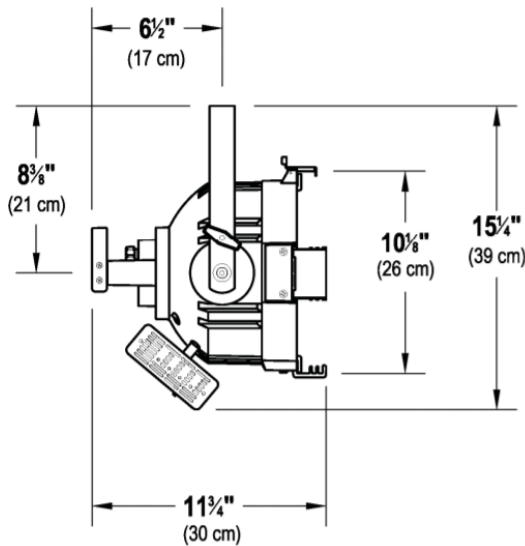
An on board power supply allows for direct power & data connection to conventional distribution or a Smart Track™ systems. The Spectra StarPAR 100 watt PAR is compatible with both DMX & RDM protocols, and comes complete with a library of preprogrammed single colors and various color mixes. Shows and addressing are accessed via the push button display.



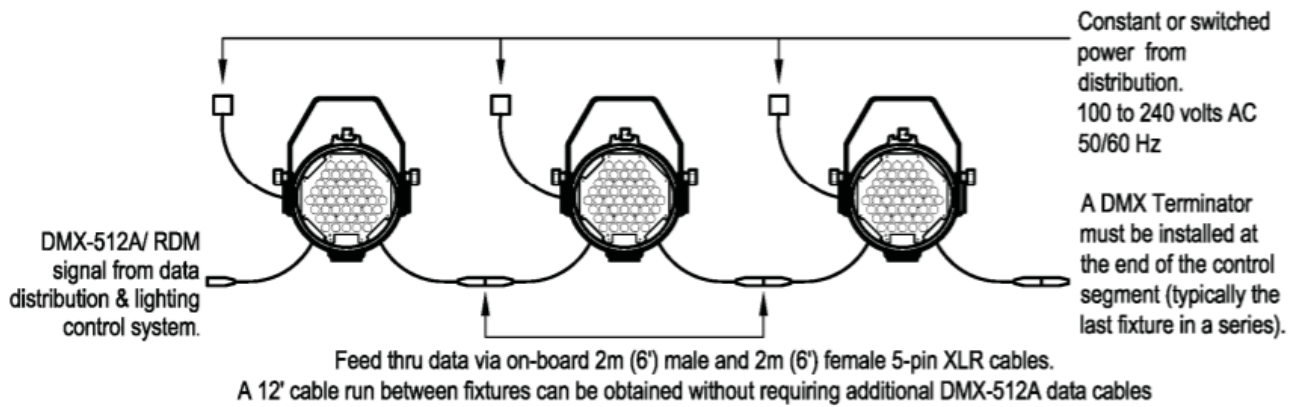
Spectra Star Par RGBWA

Product Features:

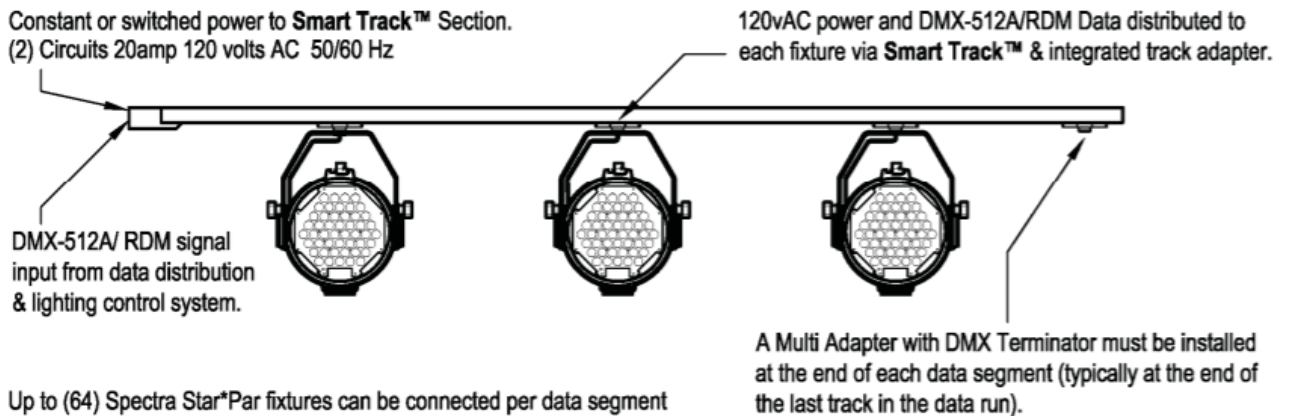
- Available in 4 Standard LED color configurations: RGBWA, RGBW, 3K White or 3K-6K Tunable White
- Max Lumens in white: 3610
- Convection Cooled.
- Available in pipe mount and Smart Track™ versions.
- Tool-free exchangeable VNSP, NSP, MFL, WFL & XWFL lenses.
- On-board multi-voltage power supply 100-240VAC or Mains Dimmable drivers.
- Feed through data capabilities using 5-pin XLR connectors.
- Compatible with DMX and RDM protocols.
- Push button addressing.
- Pre-programmed modes for fixed colors, timed color changes and strobes.
- 16 lbs.
- ETL & cETL listed.
- Made in the USA
- Five (5) year and one (1) day warranty
- No cost technical support for the life of your product



Basic wiring diagram for SSSP*-* Spectra Star PAR (Portable/Theatrical Version)



Basic wiring diagram for SSSPY*-* Spectra Star PAR (Smart Track™ Version)



Performance per Lens:

RGBA:

VNSP Lens

Throw Distance (d)	10' 3m	15' 4.6m	20' 6.1m	25' 7.6m
Beam Size, (H x V)	1.7' x 1.7' 0.5m x 0.5m	2.5' x 2.5' 0.8m x 0.8m	3.3' x 3.3' 1m x 1m	4.2' x 4.2' 1.3m x 1.3m
Illuminance (fc)	215	96	54	34
Illuminance (lux)	2,316	1,029	579	371

NSP Lens

Throw Distance (d)	10' 3m	15' 4.6m	20' 6.1m	25' 7.6m
Beam Size, (H x V)	2.2' x 2.2' 0.7m x 0.7m	3.3' x 3.3' 1m x 1m	4.4' x 4.4' 1.3m x 1.3m	5.5' x 5.5' 1.7m x 1.7m
Illuminance (fc)	147	65	37	23
Illuminance (lux)	1,579	702	395	253

MFL Lens

Throw Distance (d)	10' 3m	15' 4.6m	20' 6.1m	25' 7.6m
Beam Size, (H x V)	3.27' x 2.5' 1.1m x 0.7m	5.6' x 3.7' 1.7m x 1.1m	7.4' x 4.9' 2.3m x 1.5m	9.3' x 6.1' 2.8m x 1.9m
Illuminance (fc)	81	36	20	13
Illuminance (lux)	871	387	218	139

WFL Lens

Throw Distance (d)	10' 3m	15' 4.6m	20' 6.1m	25' 7.6m
Beam Size, (H x V)	7' x 3.5' 2.1m x 1.1m	10.5' x 5.3' 3.2m x 1.6m	14' x 7.1' 4.3m x 2.1m	17.5' x 8.8' 5.3m x 2.7m
Illuminance (fc)	41	18	10	7
Illuminance (lux)	438	194	109	70

XWFL Lens

Throw Distance (d)	10' 3m	15' 4.6m	20' 6.1m	25' 7.6m
Beam Size, (H x V)	9.5' x 9.6' 2.9m x 2.9m	14.3' x 14.3' 4.4m x 4.4m	19' x 19' 5.8m x 5.8m	23.8' x 24' 7.2m x 7.3m
Illuminance (fc)	35	18	11	7
Illuminance (lux)	377	204	118	75

3K White

VNSP Lens

Throw Distance (d)	10' 3m	15' 4.6m	20' 6.1m	25' 7.6m
Beam Size, (H x V)	1.7' x 1.7' 0.5m x 0.5m	2.5' x 2.5' 0.8m x 0.8m	3.3' x 3.3' 1m x 1m	4.2' x 4.2' 1.3m x 1.3m
Illuminance (fc)	471	209	118	75
Illuminance (lux)	5,068	2,252	1,267	811

NSP Lens

Throw Distance (d)	10' 3m	15' 4.6m	20' 6.1m	25' 7.6m
Beam Size, (H x V)	2.2' x 2.2' 0.7m x 0.7m	3.3' x 3.3' 1m x 1m	4.4' x 4.4' 1.3m x 1.3m	5.5' x 5.5' 1.7m x 1.7m
Illuminance (fc)	364	162	91	58
Illuminance (lux)	3,917	1,741	979	627

MFL Lens

Throw Distance (d)	10' 3m	15' 4.6m	20' 6.1m	25' 7.6m
Beam Size, (H x V)	3.27' x 2.5' 1.1m x 0.7m	5.6' x 3.7' 1.7m x 1.1m	7.4' x 4.9' 2.3m x 1.5m	9.3' x 6.1' 2.8m x 1.9m
Illuminance (fc)	181	80	45	29
Illuminance (lux)	1,948	866	487	312

WFL Lens

Throw Distance (d)	10' 3m	15' 4.6m	20' 6.1m	25' 7.6m
Beam Size, (H x V)	7' x 3.5' 2.1m x 1.1m	10.5' x 5.3' 3.2m x 1.6m	14' x 7.1' 4.3m x 2.1m	17.5' x 8.8' 5.3m x 2.7m
Illuminance (fc)	88	39	22	14
Illuminance (lux)	947	421	237	152



Specifications

Materials:	Corrosion-resistant materials and hardware
Housing:	Aluminum
Control:	DMX (Fully RDM Compliant)
Light Engine	Luxeon Rebel LEDs – 100 Watts Max at full RGB
Lumens:	Max in white: 3610
Rated LED Life:	Array rating >50,000 hours to L70
Lensing:	Borosilicate glass 8" diameter PAR64
Power:	100 Watts
Voltage:	120-240VAC
Cooling:	Passive, convection
Environment:	0 to 40 degrees C (32 to 104 degreesF)
Data Connection:	Two 6' 5-Pin XLR cables for DMX:1 Male & 1 Female or Smart Track™
AC Connection:	6-foot, with Edison connector
Color:	Black, White or Silver TGIC polyester. Custom colors available - consult factory before ordering.
Weight:	16lbs. (7.26kgs.)
Compliance:	cETLus listed, CE marked
Warranty:	Five (5) years and One (1) day
Support:	Supported Forever - free phone and online tech support for the life of your product.

Ordering Information

(Model)-(LED Array)-(Body Color)-(Control)

Model:	SSSP, Spectra Star Par Portable SSPY, Spectra Star Par Track
LED Arrays:	RGBA, RGBW, 3K White, 6K White, 3K6K Tunable White or Custom (C)*
Body Color:	Black (B) or White (W) or Custom (C)**
Control:	DMX (D) or Mains (M)

Notes:

*Consult factory for custom LED array. The RGBW version utilizes 3K emitters for the white channel. Variants will be considered custom.

**Black (BK) or White (WH) or Custom (CP). Consult factory for custom colors.

Unit is supplied with Set of four lenses (VN5P, NSP, MFL, and WFL - 97-0150) and Safety Cable (SC-36-BK)

Optional Accessories

XLR-5-5	5' 5-Pin XLR Extension Cable
XLR-5-10	10' 5-pin XLR Extension Cable
XLR-5-25	25' 5-pin XLR Extension Cable
99-DMX-TERM	In line 5-pin DMX terminator
510	Malleable Iron Pipe Clamp for 3/4"-1 1/2" Pipe
8-BD-4	Four Leaf Barndoor
8-CFB	Black Color Frame 10"x10"
8-SN	Black Snoot