

# SPECTRA PAR 100W LED

The Spectra PAR 100 is an indoor and outdoor-rated 100 Watt LED par luminaire. Designed for theatrical and architectural applications, the Spectra PAR 100 acts as a true par lighting fixture complete with interchangeable VNSP, NSP, MFL and WFL lenses.

The on-board power supply allows for direct power input. Data can also be directly connected to the luminaire. The Spectra PAR 100 is compatible with both DMX and RDM protocols, and comes complete with a library of pre-programmed single colors and various color mixes.

The Spectra Par 100 is an IP65-rated, wet location fixture and comes with installed male and female Neutrik X-HD Series 5-pin XLR connectors for DMX-512A Input and Output. These connectors are IP65 rated in a mated condition, when correctly installed.

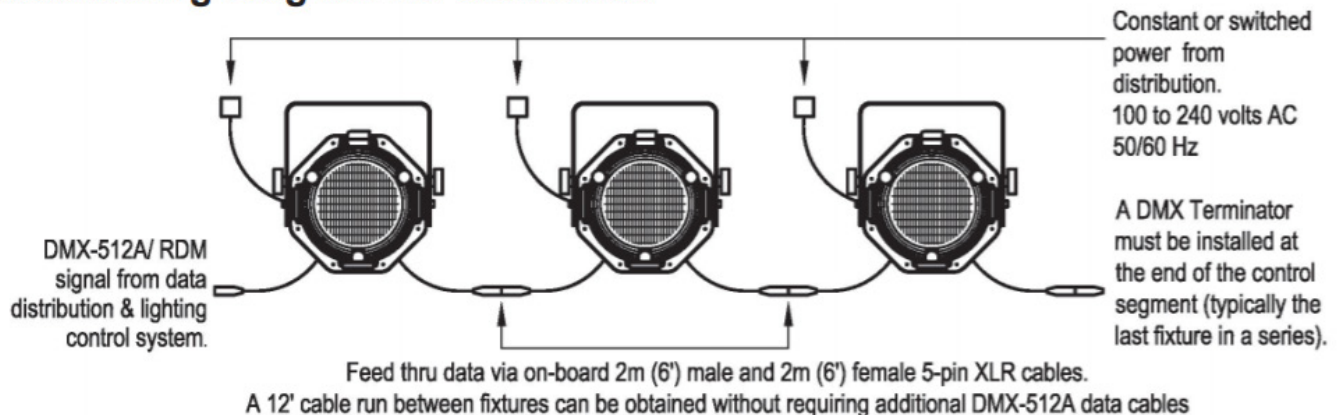


*Spectra Par 100*

## Product Features:

- Available in 5 Standard LED color configurations: RGBA, RGBW, 3K White, 6K White, or 3K-6K Tunable White  
*Please Note: The RGBW version utilizes 3K emitters for the white channel. Variants will be considered custom.*
- Maximum lumens in 3k white: 3610
- Convection cooled
- Available in pipe mount mounting
- Tool-free exchangeable VNSP, NSP, MFL, WFL and XWFL lenses
- On-board multi-voltage power supply 100-240VAC
- Feed through data capabilities using 5-pin XLR connectors
- Compatible with DMX and RDM protocols
- Push button addressing
- Pre-programmed modes for fixed colors, timed color changes and strobes
- Weight: 22 lbs. / 10.0 kg
- cETLus listed for outdoor use (IP65 rated)
- Made in the USA
- Five (5) year and one (1) day warranty
- No cost technical support for the life of your product

## Basic Wiring Diagram for SSPAR100



## Lens Performance (RGBA Array)

VNSP (Very Narrow Spot) Lens				
Throw Distance (d)	10' 3.0m	15' 4.6m	20' 6.1m	25' 7.6m
Beam Size (H x V)	1.7' x 1.7' 0.5m x 0.5m	2.5' x 2.5' 0.8m x 0.8m	3.3' x 3.3' 1.0m x 1.0m	4.2' x 4.2' 1.3m x 1.3m
Illuminance (fc)	215	96	54	34
Illuminance (lux)	2,316	1,029	579	371

NSP (Narrow Spot) Lens				
Throw Distance (d)	10' 3.0m	15' 4.6m	20' 6.1m	25' 7.6m
Beam Size (H x V)	2.2' x 2.2' 0.7m x 0.7m	3.3' x 3.3' 1.0m x 1.0m	4.4' x 4.4' 1.3m x 1.3m	5.5' x 5.5' 1.7m x 1.7m
Illuminance (fc)	147	65	37	23
Illuminance (lux)	1,579	702	395	253

MFL (Medium Flood) Lens				
Throw Distance (d)	10' 3.0m	15' 4.6m	20' 6.1m	25' 7.6m
Beam Size (H x V)	3.27' x 2.5' 1.1m x 0.7m	5.6' x 3.7' 1.7m x 1.1m	7.4' x 4.9' 2.3m x 1.5m	9.3' x 6.1' 2.8m x 1.9m
Illuminance (fc)	81	36	20	13
Illuminance (lux)	871	387	218	139

WFL (Wide Flood) Lens				
Throw Distance (d)	10' 3.0m	15' 4.6 m	20' 6.1 m	25' 7.6m
Beam Size (H x V)	7.0' x 3.5' 2.1m x 1.1m	10.5' x 5.3' 3.2m x 1.6m	14.0' x 7.1' 4.3m x 2.1m	17.5' x 8.8' 5.3m x 2.7m
Illuminance (fc)	41	18	10	7
Illuminance (lux)	438	194	109	70



**Lens Performance (3000K White Array)**

<b>VNSP (Very Narrow Spot) Lens</b>				
Throw Distance (d)	10' 3.0m	15' 4.6m	20' 6.1m	25' 7.6m
Beam Size (H x V)	1.7' x 1.7' 0.5m x 0.5m	2.5' x 2.5' 0.8m x 0.8m	3.3' x 3.3' 1.0m x 1.0m	4.2' x 4.2' 1.3m x 1.3m
Illuminance (fc)	471	209	118	75
Illuminance (lux)	5,068	2,252	1,267	811

<b>NSP (Narrow Spot) Lens</b>				
Throw Distance (d)	10' 3.0m	15' 4.6m	20' 6.1m	25' 7.6m
Beam Size (H x V)	2.2' x 2.2' 0.7m x 0.7m	3.3' x 3.3' 1.0m x 1.0m	4.4' x 4.4' 1.3m x 1.3m	5.5' x 5.5' 1.7m x 1.7m
Illuminance (fc)	364	162	91	58
Illuminance (lux)	3,917	1,741	979	627

<b>MFL (Medium Flood) Lens</b>				
Throw Distance (d)	10' 3.0m	15' 4.6m	20' 6.1m	25' 7.6m
Beam Size (H x V)	3.27' x 2.5' 1.1m x 0.7m	5.6' x 3.7' 1.7m x 1.1m	7.4' x 4.9' 2.3m x 1.5m	9.3' x 6.1' 2.8m x 1.9m
Illuminance (fc)	181	80	45	29
Illuminance (lux)	1,948	866	487	312

<b>WFL (Wide Flood) Lens</b>				
Throw Distance (d)	10' 3.0m	15' 4.6 m	20' 6.1 m	25' 7.6m
Beam Size (H x V)	7.0' x 3.5' 2.1m x 1.1m	10.5' x 5.3' 3.2m x 1.6m	14.0' x 7.1' 4.3m x 2.1m	17.5' x 8.8' 5.3m x 2.7m
Illuminance (fc)	88	39	22	14
Illuminance (lux)	947	421	237	152



# Specifications

- Materials:** Corrosion-resistant materials and hardware
- Housing:** Aluminum with corrosion resistant hardware
- Control:** DMX (Fully RDM Compliant)
- Light Engine** Luxeon Rebel LEDs – 100 Watts Max at full RGBA
- Rated LED Life:** Array rating >50,000 hours to L70
- Lensing:** Borosilicate glass 8" diameter PAR64
- Power:** 100 Watts
- Voltage:** 120-240VAC
- Cooling:** Passive, convection
- Environment:** 0 to 40 degrees C (32 to 104 degreesF)
- AC Connection:** 6-foot, bare lead
- Color:** Black or White. Custom colors available - consult factory before ordering.
- Weight:** 22lbs. (10.0kgs.)
- Compliance:** cETLus listed, CE marked
- Warranty:** Five (5) years and One (1) day
- Support:** Supported Forever - free phone and online tech support for the life of your product.

**NOTE:**

A maximum recommended spacing is 4-foot on center, 2 to 4-foot back from lighted area. For a brighter, more saturated effect, Spectra Cyc UV 50 fixtures can be set closer together and to the lighted area.

# Ordering Information

**SS-PAR100-(LED Array)-(Body Color)**

- Model:** SSPAR100, Spectra Par 100
- LED Arrays:** RGBA, RGBW, 3K White (3K), 6K White (6K), Tunable White (3K6K) or Custom (C)\*
- Body Color:** Black (B) or White (W) or Custom (C)\*\*

**Notes:**

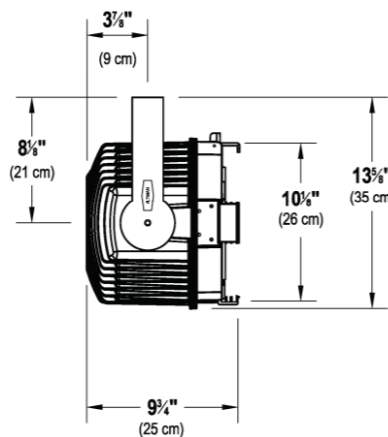
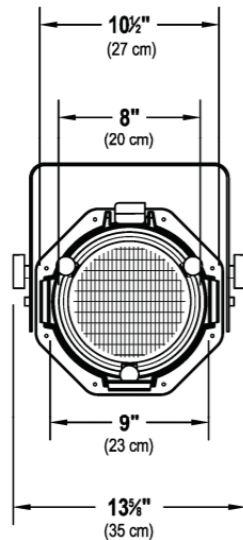
\* Consult factory for custom LED array. The RGBW version utilizes 3K emitters for the white channel. Variants will be considered custom.

\*\* Black (BK) or White (WH) or Custom (CP). Consult factory for custom colors.

Unit is supplied with Set of four lenses (VNSP, NSP, MFL, and WFL - 97-0150) and Safety Cable (SC-36-BK)

# Optional Accessories

- SC-36-BK** 36-inch Safety Cable with Spring Clip
- SS-SC-40-BK** 40-inch Stainless Steel Safety Cable
- 510** Malleable Iron Pipe Clamp
- XLR-5-5** 5-foot, 5-Pin XLR Extension Cable
- XLR-5-10** 10-foot, 5-pin XLR Extension Cable
- XLR-5-25** 25-foot, 5-pin XLR Extension Cable
- 8-BD-4** Four Leaf Barndoor
- 8-CFB** Black Color Frame 10"x10"
- 8-SN** Black Snoot
- 18-0114** Optional XWFL Lens
- 97-0150** Replacement Set of Four Lenses (VNSP, NSP, MFL, and WFL)



Altman Lighting  
 1400 East 66th Avenue  
 Denver, CO 80229 USA  
 +1 303 500-7072  
 sales@altmanlighting.com  
 support@altmanlighting.com

All specifications, descriptions, information, design, etc. contained in this document are subject to change without prior notice. All rights reserved.  
 9 June 2020 © 2020 Altman Stage Lighting, Inc.