

SPECTRA CUBE 50W LED WASH

The Spectra Cube is a 50 Watt wash luminaire utilizing red, green, blue and amber or white LED emitters. Designed for theatrical and architectural applications, The Spectra Cube is convection cooled - without the use of fans - to provide silent, longterm, high-output performance. The on-board power supply also allows for direct power and data input which can be daisy chained through 30 units.

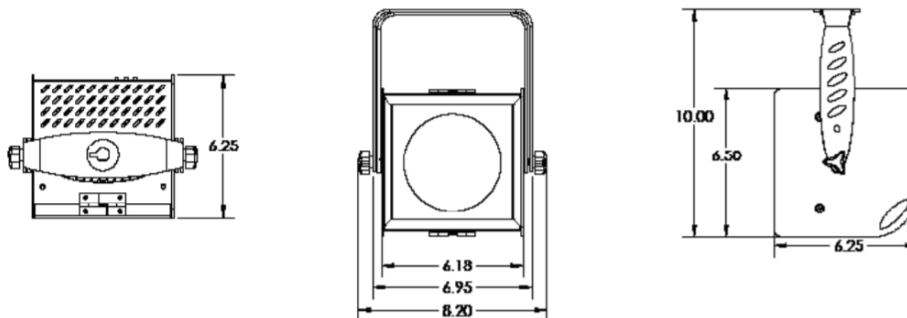
The Spectra Cube is compatible with DMX and RDM protocols, and comes complete with a library of pre-programmed single colors to various color mixes. Units are made for floor, portable, or track mount applications.



Spectra Cube

Product Features:

- Available in 5 Standard LED color configurations: RGBA, RGBW, 3K White, 6K White, or 3K-6K Tunable White *Please Note: The RGBW version utilizes 3K emitters for the white channel. Variants will be considered custom.*
- Altman Smart Track compatible
- Convection Cooled
- On-board multi-voltage power supply 100-240VAC
- Feed through power and data capabilities
- Compatible with DMX and RDM protocols
- Push button addressing.
- Preprogrammed modes
- Weight: 5 lbs. / 2.3 kg (approximate)
- cETLus listed for indoor use and CE marked
- Made in the USA
- Five (5) year and one (1) day warranty
- No cost technical support for the life of your product



Specifications

- Materials:** Corrosion-resistant materials and hardware
- Control:** DMX (Fully RDM Compliant)
- Light Engine** RGBA, RGBW, Tunable White, 3K
- Rated LED Life:** Array rating >50,000 hours to L70
- Power:** 50 Watts
- Voltage:** 120-240VAC
- Cooling:** Passive, convection
- Environment:** 0 to 40 degrees C (32 to 104 degreesF) / 5%-95% Non condensing
- AC out:** Flush mount PowerCON for feed thru power to other Spectra Cube units only.
- Color:** Black or White. Custom colors available - consult factory before ordering.
- Weight:** 5lbs. (2.3kgs.)
- Compliance:** cETLus listed, CE marked
- Warranty:** Five (5) years and One (1) day
- Support:** Supported Forever - free phone and online tech support for the life of your product.

Notes:

C-Clamp is not included with the fixture and must be ordered separately.

PHOTOMETRICS (RGBA)				
Throw Distance (d)	10' / 3m	15' / 4.6m	20' / 6.1m	25' / 7.6m
Field Size (HxV)	3.5' x 3.5' 1.1m x 1.1m	5.3' x 5.3' 1.6m x 1.6m	7.1' x 7.1' 2.1m x 2.1m	8.8' x 8.8' 2.7m x 2.7m
Illuminance (fc)	108	48	27	17
Illuminance (lux)	1,158	515	289	185

PHOTOMETRICS (3K White)				
Throw Distance (d)	10' / 3m	15' / 4.6m	20' / 6.1m	25' / 7.6m
Field Size (HxV)	3.5' x 3.5' 1.1m x 1.1m	5.3' x 5.3' 1.6m x 1.6m	7.1' x 7.1' 2.1m x 2.1m	8.8' x 8.8' 2.7m x 2.7m
Illuminance (fc)	236	105	59	38
Illuminance (lux)	2,534	1,126	633	405

Ordering Information

SSCUBE-*-**

Model: Spectra Cube LED Luminaire (portable)

UVCUBEY-*-**

Model: Spectra Cube LED Luminaire for 120V, two-circuit Smart Track

UVCUBEZ-*-**

Model: Spectra Cube LED Luminaire for 230V, three-circuit Smart Track

*LEDs: RGBA, RGBW, 3K White, 6K White, 3K6K, Tunable White or Custom (C)

**Body Color: Black (B) or White (W) or Custom (C)

Consult factory for custom LED array. The RGBW version utilizes 3K emitters for the white channel. Variants will be considered custom.

Consult factory for custom colors.

Optional Accessories

- PCL-PBG-12-5** 5-foot 20A PowerCON from 15A Edison Male (Included, portable units)
- SC-36-BK** Black Safety Cable with Spring Clip (Included, portable units)
- SSCUBE-P95** SSCUBE P95 Acrylic Lens (Included)
- 510** Malleable Iron Pipe Clamp (2 lbs.)
- 510-F** Light Duty Flat Steel Pipe Clamp: for 1/4" to 1-1/2" Pipe, Includes 5/16-18 Bolt
- SSCUBE-BD4-*** 4 Leaf Barn Door
- SS-STR-FRP-FF** Filter Frame 5-5/8" X 5-5/8" Fiber Frame
- SSCUBE-LV SS** Spectra Cube Louver - Black
- STR-LSD-601** Spectra Cube / Strip 60 X 1 Light Shaping Diffuser
- SS-STR-LSD-9525** Spectra Cube / Strip 95 X 25 Light Shaping Diffuser
- SS-STR-LSD-30** Spectra Cube / Strip 30° Spread Lens
- SS-STR-LSD-40** Spectra Cube / Strip 40° Spread Lens
- SS-STR-LSD-60** Spectra Cube / Strip 60° Spread Lens

Notes:

**Black (B) or White (W) or Custom (C). Consult factory for custom colors.



Altman Lighting
1400 East 66th Avenue
Denver, CO 80229 USA

+1 303 500-7072
sales@altmanlighting.com
support@altmanlighting.com

All specifications, descriptions, information, design, etc. contained in this document are subject to change without prior notice. All rights reserved.
3 February 2021 © 2021 Altman Stage Lighting, Inc.