

PHX ERS ELLIPSOIDAL HPL or GLA Lamps 375W, 575W and 750W

The 5°, 10°, 19°, 26°, 36° and 50° fixed focus PHX ERS ellipsoids are state of the art luminaires in function, style and efficiency. These ellipsoids have been designed and engineered with a number of innovative details and features enhancing versatility and efficiency without sacrificing performance.

The PHX ERS Ellipsoidal's aesthetic appearance and ergonomically designed function controls add to the overall appeal of this versatile luminaire. Fully locking shutters and a 360° rotating barrel help keep the artistic part of your fixture's focus intact and easy to attain. With virtually no light leak from the fixture and a boxed front end gel holder, you will not have to worry about any extra light illuminating unwanted parts of the ceiling or other fixtures in near proximity.

All of these new and innovative options are what makes the PHX ERS ellipsoids ideal for theatres, night clubs, television studios, or wherever superior, energy efficient lighting performance is required.

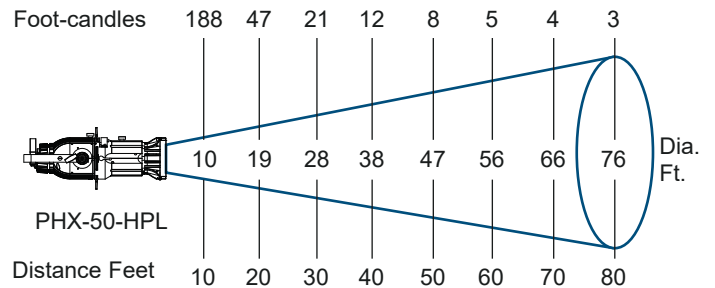
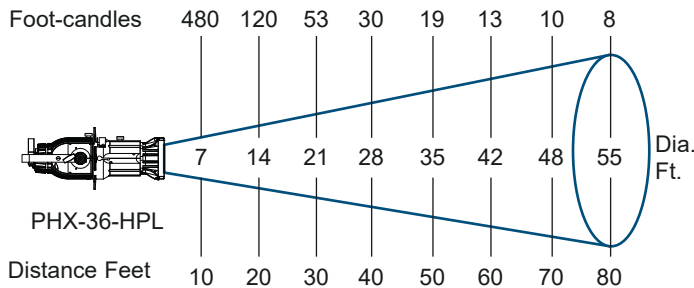
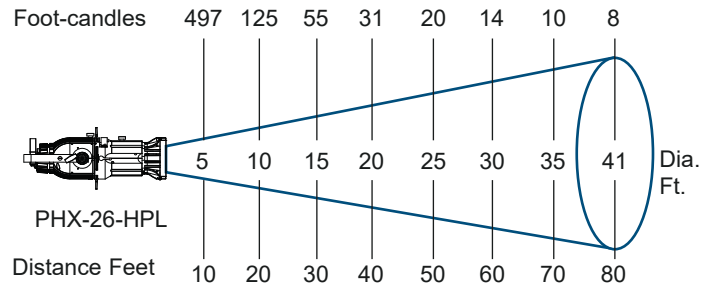
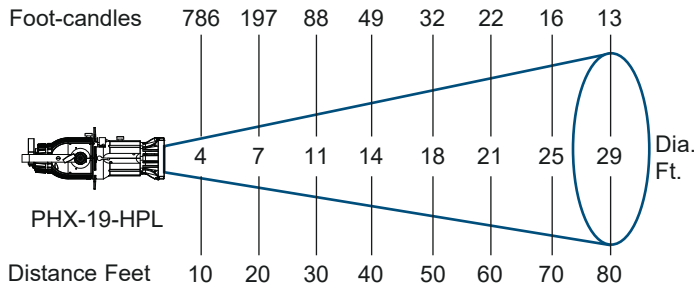
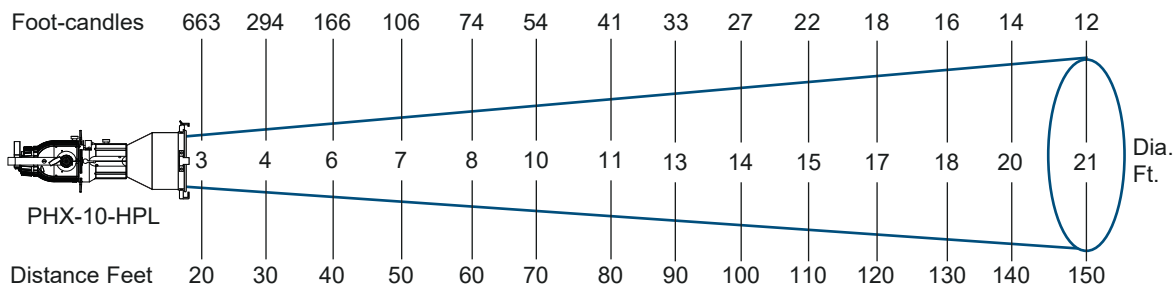
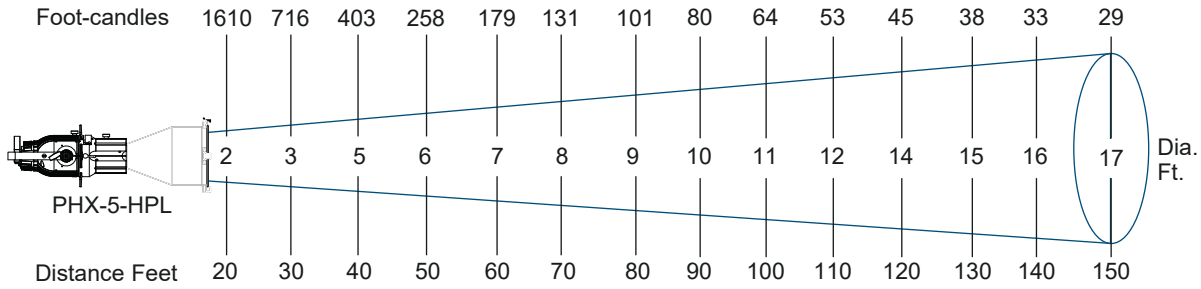
Product Features:

- Compatible with HPL series in 375W, 575W and 750W compact filament lamps, HPL as standard. Also compatible with GLA Series 575 Watt (120V) or GKV 600W (230V) lamps.
- 360 degree rotating barrel
- Locking shutter
- Completely enclosed accessory holder
- Heat resistant Plano-Convex Lensing
- Die-cast aluminum and sheet metal fabrication
- Tool free interchangeable barrels
- 3 foot power cable
- C-Clamp, safety cable, and color frame included with fixture
- Weight: 16 lbs. (7.3 kgs)
- cETLus listed for indoor use and CE marked
- Made in the USA



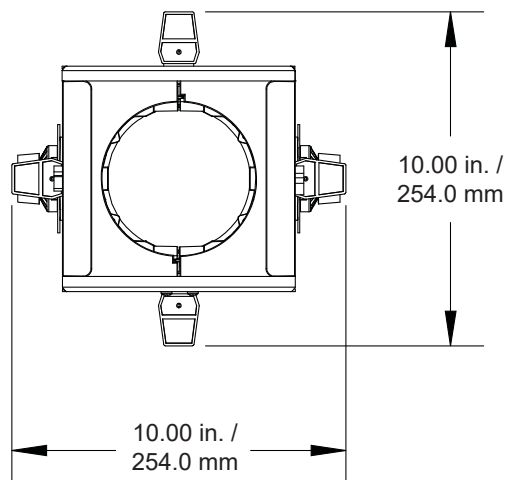
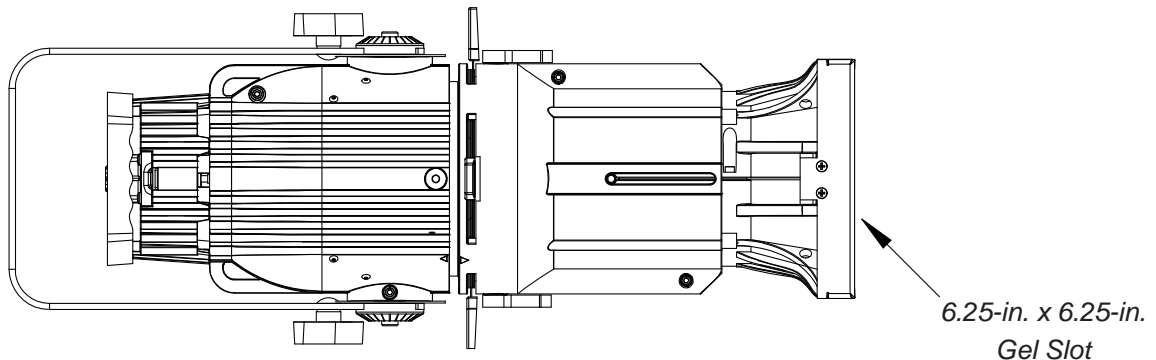
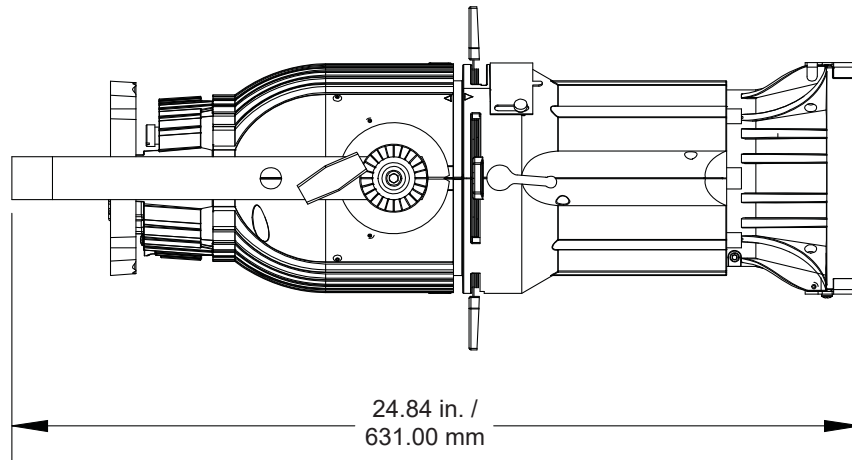
PHX ERS Ellipsoidal - Available in 5, 10, 19, 26, 36 and 50 Degree Fixed Focus

Photometrics (HPL 750W Lamp)



Dimensions

(Shown: Standard body with 19,26,36, or 50 Degree Lens)



Specifications

Housing: Die-cast aluminum construction

Yoke: Rigid flat steel with dual locking dog tilt handles, two mounting positions for short yoke hanging, indexed tilt angle markings.

Reflector: Spring mounted dichroic coated glass, ellipsoidal design.

Lenses: Color coded crown glass (white plate) lenses provided with anti-reflective coating. Molded front lens made out of polymeric plastic for 5 and 10 degree units only.

Socket: HPL or G9.5 medium two pin lamp holder axially mounted, supplied with heat shield. Tool free re-lamping. HPL as the standard.

Rating: 100, 120, 240 Volts AC operation, 6.3A (120VAC) / 3.1A (240VAC), 750 Watts maximum.

Cable: 36-inch Teflon leads encased in black fiberglass sleeving, rear cord wrap provided.

Shutters: Four 0.037-inch thick stainless steel, fully adjustable and lockable. Constructed with oversized heat resistant handles.

Compliance: cETLus Listed and CE Marked

Ordering Information

PHX-(Lens)-(Body Color)

Models: PHX ERS Ellipsoidal

Lens: 5 (5 Degree), 10 (10 Degree), 19 (19 Degree), 26 (26 Degree), 36 (36 Degree), or 50 (50 Degree)

Body Colors: Black (B) or White (W)

Note: All units supplied with a C-Clamp, Color Frame, and Safety Cable. 5 and 10 degree fixtures are supplied with a 510-HD (heavy duty) C-Clamp.

Optional Accessories

10-CFB	Black Color Frame, 12" x 12" (included with PHX-10 fixtures)
12-CFB	Black Color Frame, 14" x 14" (included with PHX-5 fixtures)
510-HD	Heavy Duty Malleable Iron Pipe Clamp (included with PHX-5 and PHX-10 fixtures)
4.5-DN	6¼" x 6¼" Donut, Black with 2½" Hole
10-DN	12" x 12" Donut, Black
12-DN	14" x 14" Donut, Black
4.5-SN	6¼" x 6¼" Snoot, Black
4.5-HSN	6¼" x 6¼" Half Snoot, Black
10-SN	12" x 12" Snoot, Black
12-SN-BK	14" x 14" Snoot, Black
PHX-PH	PHX Steel Pattern Holder, "B" Size
PHX-GPH	PHX Glass Pattern Holder, "B" Size
PDII	PHX Drop-In Iris
PHX-PHGSA	Gobo A Size (100 mm OD / 75 mm IA) Steel Sandwich
PHX-PHGSB	Gobo B Size (86 mm OD / 64.5 mm IA) Steel Sandwich
PHX-PHGSB-GLS	Gobo B Size (82 mm OD / 64.5 mm IA) Glass Sandwich For 82 mm Glass Mount
PHX-PHGS86-GLS	Gobo B Size (86 mm OD / 64.5 mm IA) Glass Sandwich For 86 mm Glass Mount
PHX-PHISB	Iris B Size (82 mm OD / 64.5 mm IA) Steel Slot Previous Part Number PHX-PH
PHX-PHISA-GLS	Iris A Size (100 mm OD / 75 mm IA) Glass Sandwich Previous Part Number PHX-GPH
PHX-PHISB-GLS	Iris B Size (82 mm OD / 64.5 mm IA) Glass Slot For 82 mm Glass Mount
PHX-PHIS86-GLS	Iris B Size (86 mm OD / 64.5 mm IA) Glass Slot For 86 mm Glass Mount