

## PHX ZOOM ELLIPSOIDAL

The 15°-35° and 30°-55° PHX Zoom ellipsoidals are state of the art luminaires in function, style, and efficiency. These ellipsoidals have been designed and engineered with a number of innovative details and features enhancing versatility and efficiency without sacrificing performance. To broaden the capabilities of the fixture we offer it with the choice of either a GLA or HPL series lamp. A 360° rotating barrel help keep your keep the artistic part of your fixture's focus intact and easy to attain, and with virtually no light leak from the fixture itself you wont have to worry about any extra light illuminating unwanted parts of the ceiling. The aesthetic appearance and ergonomically designed function controls only add to the appeal. All of these new and innovative options are what makes the PHX Zoom ellipsoidals ideal for theatres, long throw venues such as opera houses, or wherever superior energy efficient lighting performance is required.

*Please note Zoom fixtures are shipped with an HD C-Clamp.*

## ELLIPSOIDAL LIGHTING

### Catalog Numbers

PHX-1535Z-\*\*-\*\*\*  
 PHX-1535Z-CE-\*\*-\*\*\*  
 PHX-3055Z-\*\*-\*\*\*  
 PHX-3055Z-CE-\*\*-\*\*\*



### 575 & 750 WATT

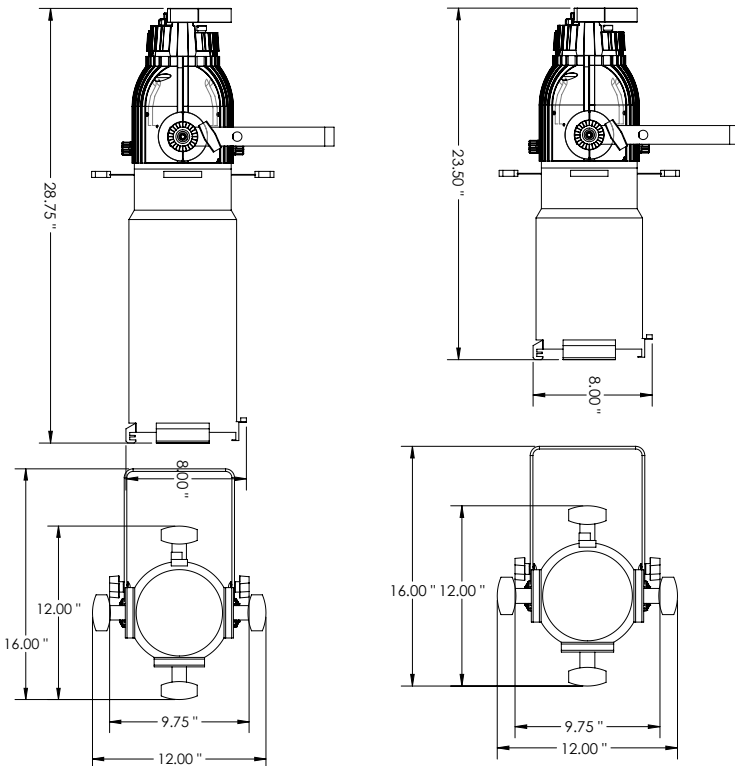
### PHX ZOOM ELLIPSOIDAL

### Features

- Compatible with GLA or HPL series in 375W, 575W and 750W compact filament lamps
- 360 degree rotating barrel
- Completely enclosed accessory holder
- Heat resistant Plano-Convex Lensing
- Die cast aluminum and sheet metal fabrication
- Color frame and spring clip safety cable included
- 3 foot power cable
- C-Clamp included with fixture
- Weights: 15°-35° approx 22 lbs.  
30°-55° approx 21 lbs.
- ETL & cETL listed.
- Made in the USA

15°-35° Zoom

30°-55° Zoom



Model #	
PHX-**-***	
* (Lens Tube)	Add the following for Lens tube type: 1535Z = 15-35° Zoom Lens 1535Z-CE = 15-35° Zoom Lens, CE Listed 30-55Z = 30-55° Zoom Lens 30-55Z-CE = 30-55° Zoom Lens, CE Listed
** (Body Color)	Add the following code for Body Color: B=Black, W=White, S=Silver, C=Custom
*** (Socket Type)	Add the following code for Socket Type: HPL=HPL Lamp base, G95 = G95 Lamp base

## PHX ZOOM ELLIPSOIDAL

# Specifications:

**Housing:** Die-cast aluminum construction

**Yoke:** Rigid flat steel with dual locking dog tilt handles, two mounting positions, indexed tilt angle markings.

**Reflector:** Spring mounted dichroic coated glass, ellipsoidal design.

**Lenses:** Color coded crown glass (white plate) lenses provided with anti-reflective coating. Molded front lens made out of polymeric plastic for 5 and 10 degree units only.

**Socket:** G9.5 medium two pin GL or HPL lamp holder axially mounted, supplied with heat shield. Tool free re-lamping.

**Rating:** 100, 120, 240 Volts AC/DC operation, 6.3/3.1 Amps, 750 Watts maximum. 120v ETL Listed; 240v CE Listed.

**Cable:** 36" Teflon leads incased in black fiberglass sleeving, rear cord wrap provided.

**Shutters:** Four .037" stainless steel, fully adjustable and lockable. Constructed with oversized heat resistant handles.

## ELLIPSOIDAL LIGHTING

Included Accessories	
6-CFB	Black Color Frame, 6.25"x6.25"
510-HD	Heavy Duty Malleable Iron Pipe Clamp
SC-36-BK	36" Black Safety Cable with Spring Clamp

Additional Accessories	
510-HD	Heavy Duty Malleable Iron Pipe Clamp
6-DN	7.5"x7.5" Donut, Black with 3" Hole
6-SN	Snoot, Black
PHXZ-PH	PHX Zoom Steel Pattern Holder, "B" Size
PHXZ-GPH	PHX Zoom Glass Pattern Holder, "B" Size
PZDII	PHX Zoom Drop-In Iris
71-1045	Replacement socket cap assembly, HPL ONLY
71-1050	Replacement socket cap assembly, G95 ONLY