

PHOENIX3 RGBL LED ZOOM

The 15°-35° and 30°-55° PHX LED Zoom profiles are state of the art luminaires in function, style, and efficiency. These zoom profiles have been designed and engineered with a number of innovative details and features enhancing versatility and efficiency without sacrificing performance.

PHX 3 is a 340 Watt (RGBL) Red, Green, Blue, and Lime Profile Spot outputting just over 10,000 Lumens which makes it a true front of house luminaire. A 360° rotating barrel and fully locking shutters help you keep the artistic part of your fixtures' focus intact with virtually no light leak.

The aesthetic appearance and ergonomically designed function controls only add to the appeal of the Phoenix3.

These new and innovative options are what makes the PHX LED profile ideal for theaters, special events, television studios, or wherever superior, energy efficient lighting performance is required.



Phoenix3 30-55 Degree Zoom

Product Features:

- 360-degree rotating barrel
- >10,000 output lumens BrightAF engine
- Heat resistant Plano-Convex lensing
- Die-cast aluminum and sheet metal fabrication
- Color frame, C-Clamp, soft focus pattern holder, safety cable and 5 foot PowerCON included
- PowerCON in and out for daisy-chaining units - Up to 5 fixtures (20A Max) may be linked
- Available standard in Black or White
- Positive locking double-clutch fixture body
- Wide accessory slot with sliding cover for motorized pattern devices or optional iris
- Yoke made from rigid flat steel with dual locking handles, two mounting positions and indexed tilt angle markings
- DMX512 in/thru via 5-pin XLR connector
- Multiple on-board control options: color fades and strobes
- Console free stand alone Player Mode
- 8-bit or 16-bit virtual dimming engine provides smooth, high quality fades and minimizes color shift during dimming
- User friendly control interface
- Carries standard 5 year plus 1 day Altman Warranty
- 26.55 lbs. (12.02 kg.)
- cETLus listed and CE marked (IP20 Rated for indoor use)
- Assembled in the USA
- Five (5) year and one (1) day warranty
- No cost technical support for the life of your product



Photometric Performance - PHX 3 RGLB with 15-35 Degree Zoom Lens

Narrow - 10716.35 Lumens

Throw Distance (d)	10' 3.05m	15' 4.57m	20' 6.09m	25' 7.62m	30' 9.14m	35' 10.67m	40' 12.19m	45' 13.72m	50' 15.24m	55' 16.76m
Beam Size Diameter	2' - 9" 0.85m	3'-11" 1.19m	5' 1.54m	6' - 2" 1.89m	7' - 4" 2.24m	8' - 6" 2.58m	9' - 7" 2.93m	10' - 9" 3.28m	11' - 11" 3.63m	13' 3.97m
Illuminance = fc (Illuminance = lux)	2909 (31312)	1293 (13917)	727 (7828)	465 (5010)	323 (3479)	237 (2556)	182 (1957)	144 (1546)	116 (1252)	96 (1035)

Lens Medium - 10921.60 Lumens

Throw Distance (d)	10' 3.05m	15' 4.57m	20' 6.09m	25' 7.62m	30' 9.14m	35' 10.67m	40' 12.19m	45' 13.72m	50' 15.24m	55' 16.76m
Beam Size Diameter	4' - 3" 1.30m	6' - 2" 1.88m	8' - 1" 2.46m	9' - 11" 3.03m	11' - 10" 3.61m	13' - 9" 4.18m	15' - 7" 4.76m	17' - 6" 5.34m	19' - 5" 5.91m	21' - 3" 6.49m
Illuminance = fc (Illuminance = lux)	1682 (18110)	748 (8049)	421 (4528)	269 (2898)	187 (2012)	137 (1478)	105 (1132)	83 (894)	67 (724)	56 (599)

Lens Wide - 10682.52 Lumens

Throw Distance (d)	10' 3.048m	15' 4.572m	20' 6.096m	25' 7.62m	30' 9.144m	35' 10.668m	40' 12.192m	45' 13.716m	50' 15.24m	55' 16.764m
Beam Size Diameter	5' - 10" 1.79m	8' - 6" 2.60m	11' - 3" 3.42m	13' - 11" 4.24m	16' - 7" 5.05m	19' - 3" 5.87m	21' - 11" 6.69m	24' - 7" 7.50m	27' - 3" 8.32m	29' - 11" 9.14m
Illuminance = fc (Illuminance = lux)	1129 (12151)	502 (5400)	282 (3038)	181 (1944)	125 (1350)	92 (992)	71 (759)	56 (600)	45 (486)	37 (402)

Photometric Performance - PHX3 RGLB with 30-55 Degree Zoom

Lens Narrow - 10598.7 Lumens

Throw Distance (d)	10' 3.05m	15' 4.57m	20' 6.09m	25' 7.62m	30' 9.14m	35' 10.67m	40' 12.19m	45' 13.72m	50' 15.24m	55' 16.76m
Beam Size Diameter	5' - 6" 1.69m	8' 2.45m	10' - 7" 3.22m	13' - 1" 3.98m	15' - 7" 4.75m	18' - 1" 5.52m	20' - 7" 6.28m	23' - 2" 7.05m	25' - 8" 7.82m	28' - 2" 8.58m
Illuminance = fc (Illuminance = lux)	1030 (11086)	458 (4927)	257 (2771)	165 (1774)	114 (1232)	84 (905)	64 (693)	51 (547)	41 (443)	34 (366)

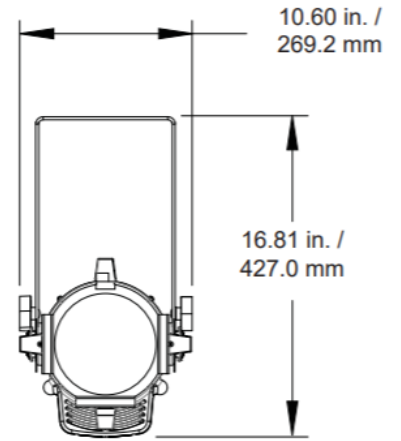
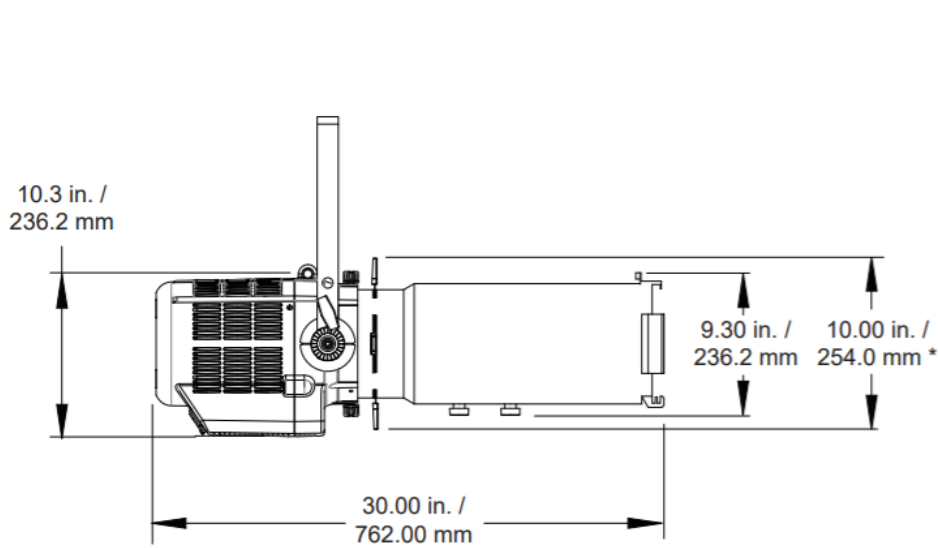
Medium - 10762.82 Lumens

Throw Distance (d)	10' 3.05m	15' 4.57m	20' 6.09m	25' 7.62m	30' 9.14m	35' 10.67m	40' 12.19m	45' 13.72m	50' 15.24m	55' 16.76m
Beam Size Diameter	7' - 1" 2.16m	10' - 5" 3.17m	13' - 8" 4.17m	17' 5.18m	20' - 3" 6.18m	23' - 7" 7.19m	26' - 11" 8.19m	30' - 2" 9.20m	33' - 6" 10.20m	36' - 9" 11.21m
Illuminance = fc (Illuminance = lux)	625 (6723)	278 (2988)	156 (1681)	100 (1076)	69 (747)	51 (549)	39 (420)	31 (332)	25 (269)	21 (222)

Wide - 10883.21 Lumens

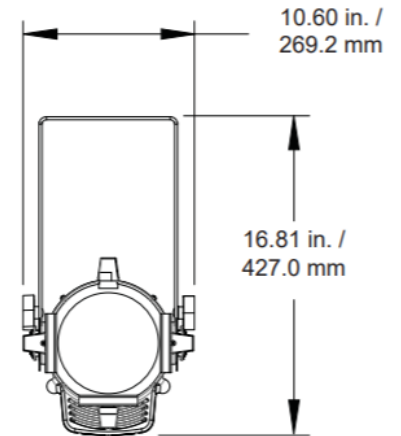
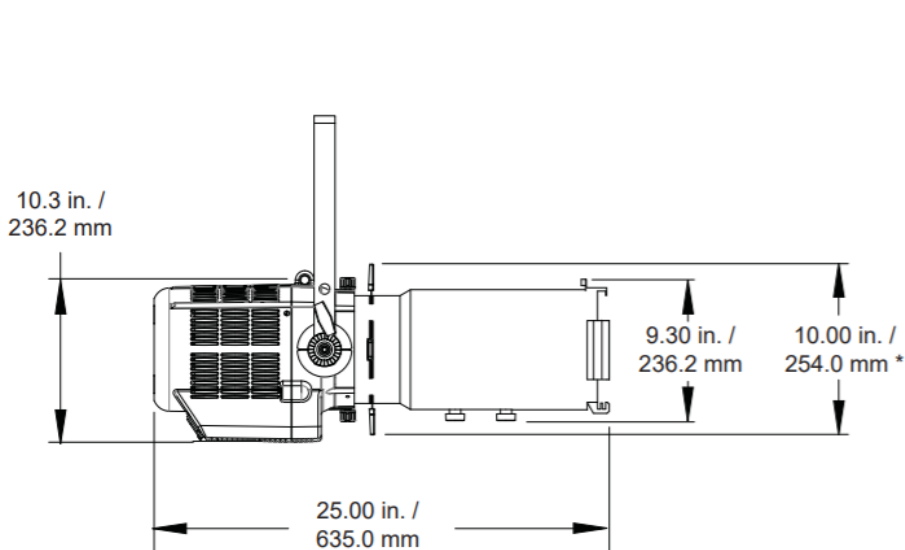
Throw Distance (d)	10' 3.048m	15' 4.572m	20' 6.096m	25' 7.62m	30' 9.144m	35' 10.668m	40' 12.192m	45' 13.716m	50' 15.24m	55' 16.764m
Beam Size Diameter	8' - 10" 2.68m	13' 3.95m	17.1' 5.22m	21' - 3" 6.48m	25' - 5" 7.75m	29' - 7" 9.01m	33' - 9" 10.28m	37' - 10" 11.54m	42' 12.81m	46' - 2" 14.08m
Illuminance = fc (Illuminance = lux)	429 (4618)	191 (2052)	107 (1154)	69 (739)	48 (513)	35 (377)	27 (289)	21 (228)	17 (185)	14 (153)

Phoenix3 15-35 Degree Zoom



**Dimensions shown are with shutter blades fully retracted (pushed in).*

Phoenix3 30-55 Degree Zoom



**Dimensions shown are with shutter blades fully retracted (pushed in).*

Specifications

Materials: Corrosion-resistant materials and hardware
Control: DMX/RDM
Light Engine: 85 RGBL LED Array
Beam Lumens: >10,000 - See photometrics
Rated LED Life: Array rating >50,000 hours to L70
Input Voltage: 100-240 VAC 50/60 Hz
Watts: 340
Current Draw: 2.83A at 120VAC / 1.47A at 230VAC
Quiescent Load: 0.087 AMP (10.54 Watts) @ 120 VAC*
 0.045 AMP (10.54 Watts) @ 240 VAC*
 *Fan and display off
Power Factor: ≥ 0.95
Power Through: Up to 5 Units at 120VAC*
 Up to 10 units at 230 VAC*
 * Recommended Power linking of units via powercon connection.
LED Engine Cooling: Active with progressive output management.
Environment: 0 - 50°C (32 - 122°F) with humidity of 5-95% non-condensing)
Weight: 26.55 lbs. (12.04 kgs.)
Body Color: Black or White
Compliance: cETLus listed for indoor use and CE marked
Warranty: Five (5) years and One (1) day
Support: Supported Forever - free phone and online tech support for the life of your product.

DMX VALUES FOR WHITE SETTINGS:

	RED	GREEN	BLUE	LIME	WATTS
3200K	100%	73%	63%	100%	193
4200K	100%	88%	72%	100%	230
5600K	100%	96%	84%	100%	267

Note: There are many aftermarket accessories for Altman Lighting products available through third-party suppliers. When considering these aftermarket accessories, we suggest that you consult with your Altman Regional Sales Manager beforehand regarding capability and effects on product performance.



Ordering Information

PHX3-(RGBL)-(LENS TYPE)-(FINISH COLOR)

Model: PHX3 (PHX 340W LED Profile Spot)
LED Array: RGBL
Lens Type: 15Z (15°-35° zoom) or 30Z (30°-55° zoom) Black
Body Color: (B) or White (W)

Note: Each unit ordered includes a 7-1/2" x 7-1/2" Color Frame (6-CFB), C-Clamp (510), 36" Black Safety Cable (SC-36-BK), PHX Soft Focus Lens with A-Size Pattern Holder (PHX-SFLGSA), and 5-Foot AC Cable PowerCON to Edison (PCL-PBG-12-).*

Accessories

- 6-CFB** Color Frame, 7-1/2" x 6-1/2"
- 510** Malleable Iron Pipe Clamp
- 510-HD** Heavy Duty Malleable Iron Pipe Clamp
- SC-36-BK** 36" Black Safety Cable with Spring Clamp
- 6-DN** 7-1/2" x 7-1/2" Donut, Black with 3" Hole
- PDII** Phoenix Drop In Iris
- PHX-SFLGSA** PHX Soft Focus lens with B Size Pattern Holder
- PHX-PHGSA** A Size Steel Pattern Holder (100mm OD / 75mm IA)
- PHX-PHGSB** B Size Steel Pattern Holder (86mm OD / 64.5mm IA)
- PHX-PHGSA-GLS** B Size Glass Pattern Holder (82mm OD / 64.5mm IA)
- PHX-PHGSA86-GLS** B Size Glass Pattern Holder (86mm OD / 64.5mm IA)
- PHX-PHISB** B Size Steel Pattern Holder (86mm OD / 64.5mm IA) for Iris Slot
- PHX-PHISA-GLS** A Size Glass Pattern Holder (100mm OD / 75mm IA) for Iris Slot
- PHX-PHISB-GLS** B Size Glass Pattern Holder (82mm OD / 64.5mm IA) for Iris Slot
- PHX-PHISA86-GLS** B Size Glass Pattern Holder (86mm OD / 64.5mm IA) for Iris Slot
- PCL-PBG-12-*** 5' 20A PowerCON with Parallel Blade U Ground (Edison)
- PCL-2P&G-12-5-*** 5' 20A PowerCON with 2P&G Stage Pin Connector, Male
- PCL-TLG-12-5-*** 5' 20A PowerCON with L5-20P Twist Locking Ground Connector, Male
- PCL-BARE-12-5-*** 5' 20A PowerCON with Bare End Lead

*Note: *-W for White Cable, Black is standard and no suffix is required*



Altman Lighting
 1400 East 66th Avenue
 Denver, CO 80229 USA
 +1 303 500-7072
 sales@altmanlighting.com
 support@altmanlighting.com

1 June 2020 © 2020 Altman Stage Lighting, Inc.
 All specifications, descriptions, information, design, etc. contained in this document are subject to change without prior notice. All rights reserved.