

Fixture Type:

The Outdoor 600, designed for portable or permanent installations in wet locations, incorporates a highly polished specular reflector designed to operate most efficiently with the new generation of 750-watt tungsten halogen lamps. This superior reflector makes the unit a great alternative to conventional PAR64 fixtures. The housing is constructed of cast aluminum for maximum durability, and a fully rotational holder accepts any of five focusing lenses from narrow spot to very wide flood.

Noncorrosive positive-locking handles make fixture positioning easy. The yoke allows for surface mounting or the unit can be hung with an optional pipe clamp; for added convenience, a separate aluminum handle is also provided on the rear. All removable components have gaskets to insure a water-tight seal, and wiring is composed of 24" Hi-Temp leads in an overall high-temperature, waterproof, sunlight-resistant jacket through a gasketed liquid tight strain relief. The borosilicate glass lens also withstands high temperatures and is tempered for maximum strength. An optional accessory snoot / color-frame holder accommodates standard gel and dichroic color media.

Specifications subject to change without notice.



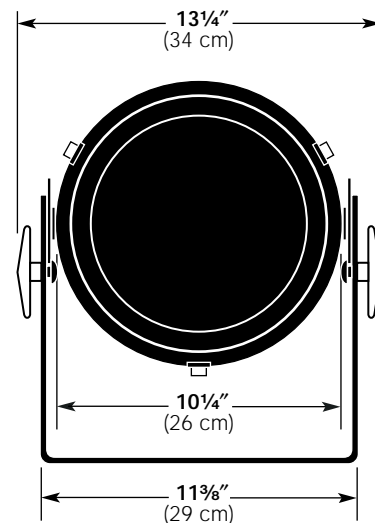
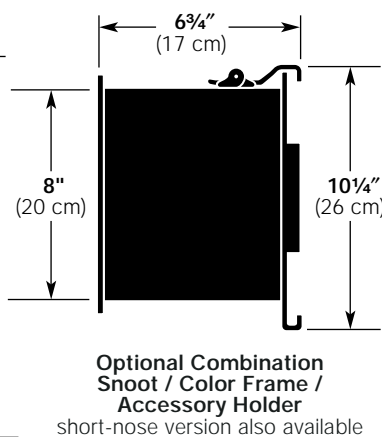
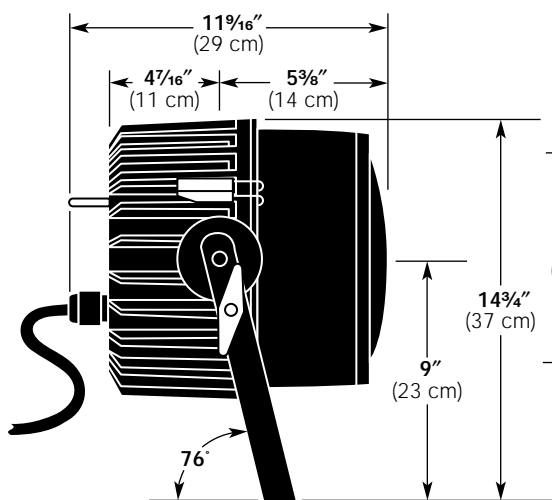
OD-600



OD-600 with  
OD-P64-SN  
snoot installed

750-WATT OUTDOOR 600 PAR LUMINAIRE  
Features

- Cast-and-spun aluminum construction
- Designed for portable or permanent, wet or damp installations
- Tool-free 360° lens rotation
- Five interchangeable lenses
- High-grade aluminum reflector, polished to a mirror finish
- Axially mounted G9.5 medium two-pin lampholder accepting a wide variety of non-proprietary lamps
- Lower-wattage lamps reduce power consumption while increasing dimmer capacity; smaller-size lamps reduce storage space
- Two-position yoke adjustment
- Safety cable with spring clip included
- Combination snoot / color-frame / accessory holder available
- 24" Hi-Temp sunlight-resistant waterproof cable
- U.L.- and c.U.L.-listed for 750 watts and suitable for wet locations
- Made in the U.S.A.



# 750-WATT OUTDOOR 600 LUMINAIRE

## Specifications

**Housing:** Cast-and-spun aluminum construction.

**Materials:** Corrosion-resistant materials and hardware.

**Yoke:** Rigid aluminum flat stock with dual locking-dog handles.

**Reflector:** High-grade aluminum chemically polished and coated; parabolic design.

**Lenses:** Tempered borosilicate. Five different beam-shaping lenses available (see performance chart); very narrow spot, narrow spot, medium flood, and wide flood supplied with unit.

**Socket:** Altman G9.5 medium two-pin, axially mounted; tool-free relamping.

**Rating:** 120/240 volts AC/DC operation, 4.8/2.4 amps, 750 watts maximum.

**Cable:** 24" Hi-Temp rubber, sunlight-resistant; exits unit via liquid-tight compression-type strain relief.

**Focusing, Fixture:** Rear-mounted aiming handle provided.

**Accessories:** Optional combination snoot / color-frame / accessory holder with color frame accepts standard 10" accessories.

**Finish:** Black epoxy Sandtex, electrostatic application.

**Weight:** Approx. 14 lbs. (6.3 Kg).

### ACCESSORIES SUPPLIED WITH LUMINAIRE

97-0150	Set of Four Lenses (VNSP, NSP, MFL, WFL)
SC-36-BK	Safety Cable with Spring Clip

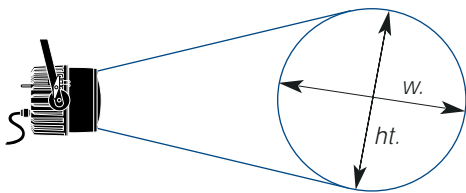
### ADDITIONAL ACCESSORIES

OD-P64-SN	Combination Snoot/Color Frame Holder with 10"x10" Color Frame
ODC-SN-SHORT	1½" Short Nose Combination Frame Holder with a 10"x10" Color Frame
8-CF	Additional Color Frame
510	Malleable Iron Pipe Clamp
510-BLK	Black Malleable Iron Pipe Clamp
18-0110	Very Narrow Spot Lens
18-0111	Narrow Spot Spread Lens
18-0112	Medium Flood Spread Lens
18-0113	Wide Flood Spread Lens
18-0114	Very Wide Flood Spread Lens

Catalog  
Number  
OD-600-A

## LAMP INFORMATION

watts	volts	ANSI code	manufacturer lamp code	color temp. (°K)	rated life (hrs)	rated lumens	correction factor
375	115	--	HX400	3200	300	10,000	.69
375	115	--	HX401	3050	1,500	8,500	.59
575	115	--	HX604	3250	400	15,500	1.14
575	115	--	HX605	3100	1,500	13,500	--
600	230	GKV	HX600/HV230	3200	400	14,500	1.03
575	115	GLC	HP600/6989P	3200	400	15,500	--
575	115	GLA	HP600/6992P	3100	1,500	13,500	--



## PHOTOMETRIC DATA FOR OD-600 WITH GLC LAMP

lens	candle-power (cd)	beam angle	field angle	efficiency	distance		10'		20'		30'		40'		50'		60'	
					center beam fc	ht. w. (') (')	center beam fc	ht. w. (') (')	center beam fc	ht. w. (') (')	center beam fc	ht. w. (') (')	center beam fc	ht. w. (') (')	center beam fc	ht. w. (') (')		
Very Narrow Spot (VNSP)	576,100	6°x 6°	14°x14°	71.3%	5,761	2 2	1,440	5 5	640	7 7	360	10 10	230	12 12	160	15 15		
Narrow Spot (NSP)	414,300	7°x 7°	16°x16°	66.9%	4,143	3 3	1,036	6 6	460	8 8	259	11 11	166	14 14	115	17 17		
Medium Flood (MFL)	152,200	9°x19°	19°x29°	66.4%	1,522	3 5	381	7 10	169	10 16	95	13 21	61	17 26	42	20 31		
Wide Flood (WFL)	35,600	17°x40°	32°x56°	56.6%	356	6 11	89	11 21	40	17 32	22	23 43	14	29 53	10	34 64		
Very Wide Flood (VWFL)	10,600	53°x53°	77°x77°	56.1%	106	10 10	26	20 20	12	30 30	7	40 40	--	--	--	--		

**ALTMAN**  
Lighting, Inc.  
BRINGING IMAGINATION TO LIGHT

Copyright © 2003 Altman Lighting, Inc., 57 Alexander Street, Yonkers, NY 10701. Tel.: 914.476.7987 / 212.569.7777 / 800.4.ALTMAN. Fax: 914.963.7304. Visit us online at <http://www.altmanlighting.com>.

Altman Lighting, Inc. is a wholly owned subsidiary of Altman Stage Lighting Company, Inc.

100103