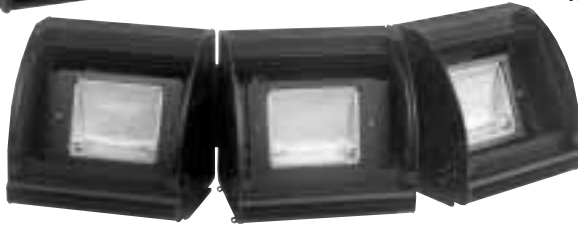


Fixture Type:



The award-winning Focusing Cyc is a lightweight, compact luminaire designed to provide an even wash of light on cycloramas and backdrops. This lighting instrument can also be used as a multi-purpose flood/fill light for stage and studio lighting applications. The Focusing Cyc has been designed and engineered with a number of innovative details and features that enhance its versatility, efficiency, and performance. Each compartment has a state-of-the-art, highly polished and peened reflector that pivots about the lamp for precision focusing. A heat-resistant knob with indexed position markings is located on the rear of the housing for adjusting and locking the reflector into position. And adjustable lampholders allow the luminaire to accept T-3 to T-8 lamps of three different lengths: 4<sup>11</sup>/<sub>16</sub>" (119 mm), 5<sup>5</sup>/<sub>8</sub>" (143 mm), and 6<sup>9</sup>/<sub>16</sub>" (167 mm).

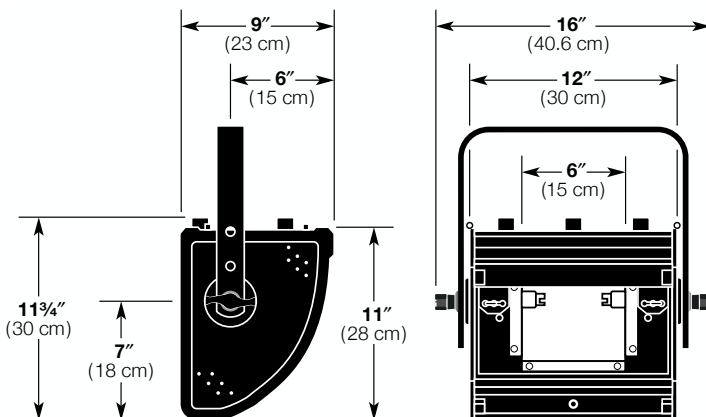
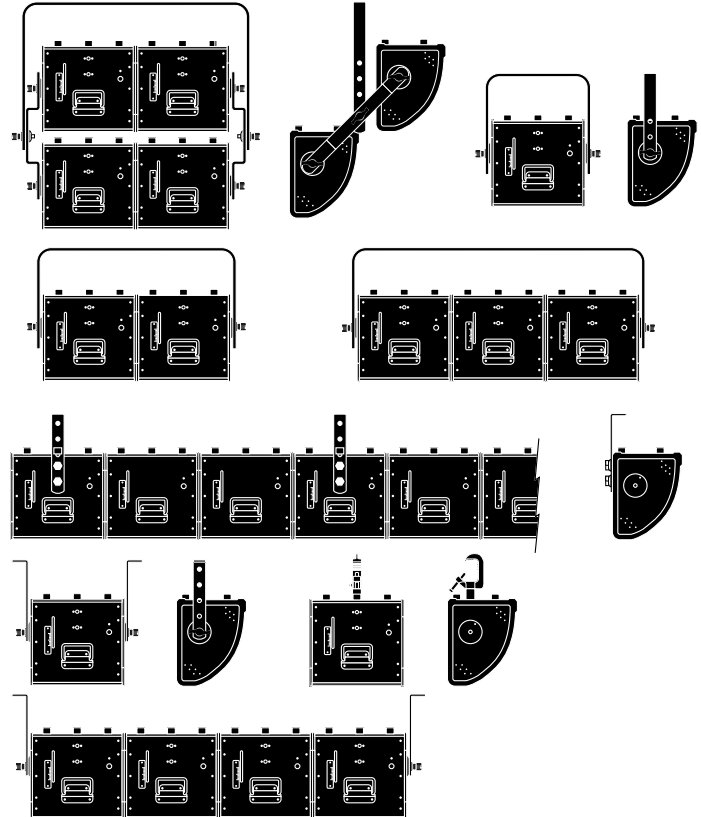
The housing features a pair of rugged tool-free spring latches which allow multiple units to be safely locked together in a number of ways: straight row, curved horizontally, curved vertically, or any combination of the three. The convenient, fold-down carry handle also doubles as a loop for a safety cable, and the heat-resistant non-skid feet are height-adjustable, eliminating the need for floor trunnions for most ground-row applications. A wide selection of yokes and other hanging hardware is also available to accommodate virtually all overhead mounting configurations.

## 300- TO 1500-WATT FOCUSING CYC GROUND AND SKY LUMINAIRE Features

- Rugged die-cast and sheet-aluminum construction
- Broad, even light distribution
- Pivoting reflector allowing a multitude of focus angles
- Lockable, indexed reflector adjustment knob
- Highly polished and peened reflector with exclusive heat sink to improve longevity
- Asymmetrical distribution for even cyclorama washes
- Adjustable lampholders accepting T-3 to T-8 lamps of 4<sup>11</sup>/<sub>16</sub>", 5<sup>5</sup>/<sub>8</sub>", and 6<sup>9</sup>/<sub>16</sub>"
- Strong spring latches allowing tool-free interconnection for multiple units in a variety of configurations
- Multiple mounting and hanging configurations
- Three non-skid feet, height-adjustable to allow for use on non-level surfaces
- Strong, extra fine safety screen provided
- Rear-mounted fold-down carry handle doubling as an attachment loop for safety cabling
- Color frame and safety cable included
- Three 36" Hi-Temp lead wires
- Up to 25' of Hi-Temp rubber cable optional
- Accepting stripped glass color frames with optional holder
- U.L.-, c.U.L.- and CE-listed for 1500 watts
- Made in the U.S.A.

The super-thin safety screen is specially designed to allow maximum light output, and is readily removable for easy access to the lamp for quick, effortless installation and replacement. The optional filter frame is hinged and removable without the use of tools. An optional accessory for the Focusing Cyc is a unique clip that safely secures stripped-glass color frames. With a wide range of non-proprietary lamps of varying wattage, length, and width to choose from, the extremely versatile Focusing Cyc can easily replace a multitude of standard luminaires.

Specifications subject to change without notice.



# 300- TO 1500-WATT FOCUSING CYC GROUND AND SKY LUMINAIRE Specifications

Catalog  
Number  
FC-1

**Housing:** Die-cast and sheet-aluminum construction.

**Materials:** Corrosion-resistant hardware and parts.

**Carry Handle:** Rugged, fold-down, with 3½" grip opening. Handle doubles as safety-cable loop.

**Reflector:** Peened specular aluminum with integral heat sink.

**Socket:** RSC (R7s) recessed single-contact; two provided per section. Tool-free relamping. Adjustment mechanism allowing lamp lengths of 4¼", 5", and 6⅞".

**Rating:** 120/240 volts AC/DC operation, 12.5/6.3 amps, 1500 watts maximum.

**Cable:** 36" Teflon® and/or silicone-fiberglass leads encased in black fiberglass sleeving. Hi-Temp rubber cable optional.

**Focusing:** Reflector pivots via rear-mounted, indexed, Hi-Temp plastic lock-knob.

**Safety Screen:** Stainless steel, one provided with each section.

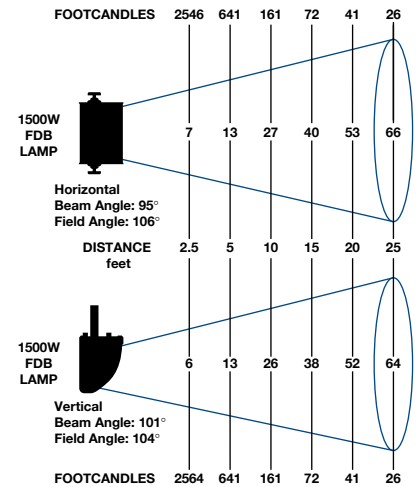
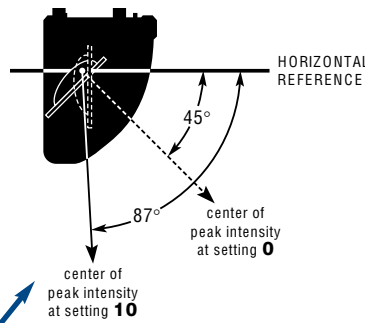
**Feet:** Three, Hi-Temp rubber, height-adjustable.

**Interconnect Hinges:** Heavy-duty with tool-free spring-loaded latching mechanism. Multiple sections may be rigidly and securely interconnect ed along bottom, rear, or both.

**Hanging:** Single sections: pipe clamp, hanging arm(s), or yoke. Two and three sections: hanging arm(s) or yoke. Straight runs of four or more sections with hanging arms only. **Note:** When more than four sections are hung, no more than two hangerless sections are to be placed between sections with hanging arms.

**Finish:** Black epoxy Sandtex, electrostatic application.

**Weight:** Approx. 10½ lbs. (4.73 Kg.)



FC-1 PERFORMANCE CHART WITH FDB LAMP

fixture type	candlepower	beam angle	field angle	efficiency
Focusing Cyc	16,000 cd	95° × 101°	106° × 104°	72%

ACCESSORIES SUPPLIED WITH LUMINAIRE	
SC-36-BK	Safety Cable with Spring Clip
FC-CF	Black Hinged Color Frame, 11½"×10¼"

ADDITIONAL ACCESSORIES	
FC-SGR	Stripped Glass Color Frame Retainer
97-0175	Hardware Kit for side-mounting FC-1 to FC-1Y, FC-2Y, FC-3Y, FC-2X2Y, 508, FT and CFT
510	Malleable Iron Pipe Clamp
20-0032	Single Hanging Arm without Pipe Clamp*
508	Hanging Arm with Pipe Clamp, pair*
FT	Floor Trunnion, pair*
CFT	Castered Floor Trunnion, pair*
FC-1Y	Single-Cell Yoke with 510 Pipe Clamp*
FC-2Y	Two-Cell Yoke with 510 Pipe Clamp*
FC-3Y	Three-Cell Yoke with 510 Pipe Clamp*
FC-2X2Y	Two-over-Two Cell Yoke with 510 Pipe Clamp*

\* Hardware kit 97-0175 required for side mounting.

## LAMP INFORMATION

watts	volts	ANSI code	manufacturer lamp code	color temp. (*K)	rated life (hrs)	rated lumens	finish
<b>4 11/16" (119 mm) M.O.L. Lamps Burn Position: ±4°</b>							
300	120	EHM	QT3/CL	3200	2,000	6,000	Clear
300	130	EHZ	QT3	3000	2,000	5,900	Frost
300	230	--	QT3/CL	2900	2,000	5,600	Clear
350	120	--	QT3/CL/HIR	3000	2,000	10,000	Clear
350	120	--	QT2/4/FDF/HIR	3200	400	13,250	Frost
500	120	FCL	QT3/CL	3200	2,000	11,000	Clear
500	120	FCZ	QT3	3000	2,000	10,800	Frost
500	120	FDF	QT3/4CL	3200	400	13,250	Clear
500	120	FDN	QT3/4	3200	400	12,800	Frost
500	120	--	QT3/CL/6	3000	1,500	10,950	Clear
500	230	DVS	QT3/CL	3000	2,000	10,550	Clear
500	230	--	QT3/CL	2900	2,000	9,900	Clear
525	120	--	QT3/4/EJG/HIR	3200	400	20,600	Frost
650	120	--	QT3/4/FCM/HIR	3200	400	25,200	Frost
750	120	EJG	QT3/4CL	3200	400	20,600	Clear
750	120	EMD	QT3/4	3200	400	19,500	Frost
800	240	EMF	QT3/4	3200	250	21,400	Frost
1000	120	FCM	QT3/4CL	3200	400	28,000	Clear
1000	120	FHM	QT3/4	3200	400	27,300	Frost
1000	220	--	QT3/4CL	3200	300	25,500	Clear
1050	120	ELJ	QT5/CL	3200	75	30,000	Clear
<b>5 5/8" (143 mm) M.O.L. Lamps Burn Position: ANY</b>							
1000	120	DWT	QT6/CL	3200	2,000	23,400	Clear
1000	120	FER	QT6/CL	3200	500	27,500	Clear
<b>6 9/16" (167 mm) M.O.L. Lamps Burn Position: ANY</b>							
675	120	--	QT3/4/FFT/HIR	3200	400	26,000	Clear
1000	120	FGV	QT3	3200	400	25,700	Frost
1000	120	FFT	QT3/1CL	3200	400	26,400	Clear
1000	120	--	QT3/1CL	3200	300	27,000	Clear
1500	120	FDB	QT4/4CL	3200	400	41,200	Clear
1500	120	FGT	QT4/4	3200	400	40,200	Frost