

Fixture Type:

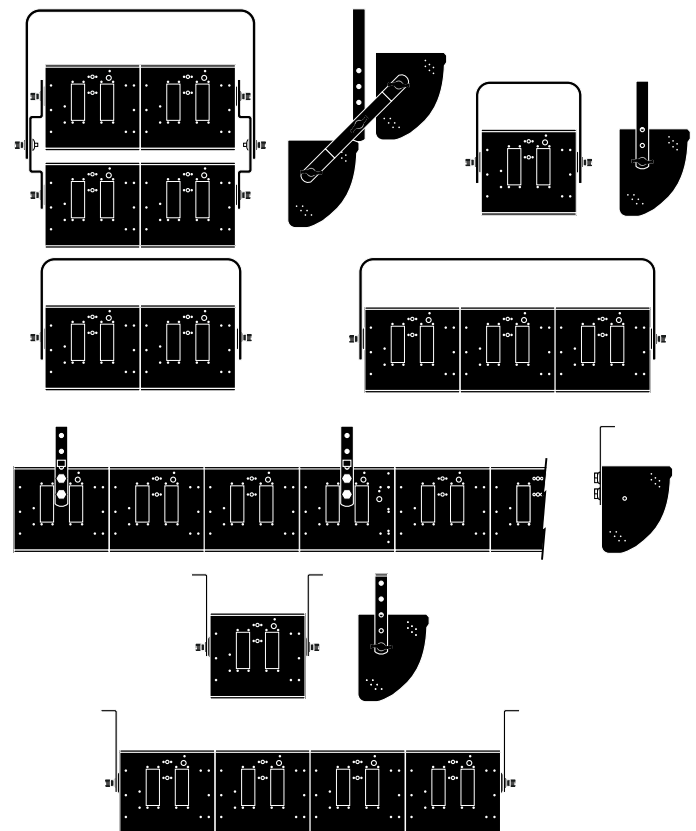
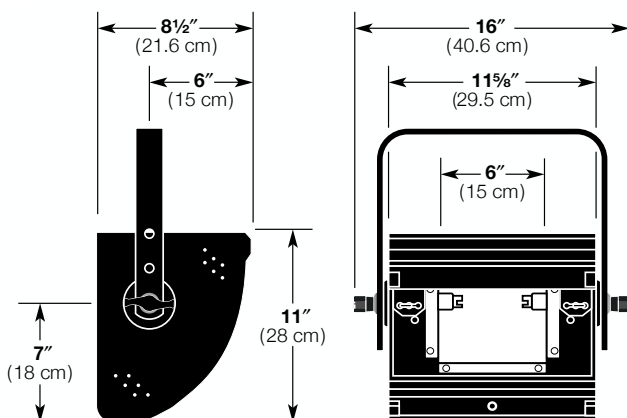


The EconoCyc is a lightweight, compact luminaire designed to provide an even wash of light on cycloramas and backdrops. This lighting instrument can also be used as a multi-purpose flood/fill light for stage and studio lighting applications. The EconoCyc has been designed and engineered with a number of innovative details and features that enhance its versatility, efficiency, and performance. Each compartment has a state of the art, highly polished and peened reflector. Another feature is the adjustable lampholders which allows the luminaire to accept T-3 to T-8 lamps of three different lengths: 4¹/₁₆" (119 mm), 5⁵/₈" (143 mm), and 6⁹/₁₆" (167 mm).

The housing has a rugged slide bracket which allows multiple units to be safely locked together, including the Focusing Cyc (Altman catalog number FC-1) and others. The optional non-skid feet are height-adjustable and eliminate the need for floor trunnions for most ground row applications. A wide selection of yokes and other hanging hardware is also available to accommodate virtually all overhead mounting configurations.

300- TO 2000-WATT ECONOCYC GROUND AND SKY LUMINAIRE Features

- Rugged sheet-aluminum construction
- Broad, even light distribution
- Highly polished and peened reflector with exclusive heat sink to improve longevity
- Asymmetrical distribution for even cyclorama washes
- Adjustable lampholders accepting T-3 to T-8 lamps of 4¹/₁₆" , 5⁵/₈" , and 6⁹/₁₆"
- Strong slide bracket allows interconnection for multiple units in a variety of configurations, including the Focusing Cyc (FC-1) and others
- Multiple mounting and hanging configurations
- Strong, extra fine safety screen provided
- Color frame and safety cable included
- Three 36" Hi-Temp lead wires
- Up to 25' of Hi-Temp rubber cable optional
- Accepting stripped glass color frames with optional holder
- U.L.-, c.U.L.- and CE-listed for 2000 watts
- Made in the U.S.A.



Specifications subject to change without notice.

300- TO 2000-WATT ECONOCYC GROUND AND SKY LUMINAIRE Specifications

Catalog
Number
EC-1

Housing: Sheet-aluminum construction.

Materials: Corrosion-resistant hardware and parts.

Reflector: Peened specular aluminum with integral heat sink.

Socket: RSC (R7s) recessed single-contact; two provided per section. Tool-free relamping. Adjustment mechanism allowing lamp lengths of 4¹¹/₁₆"", 5⁵/₁₆"", and 6⁹/₁₆"".

Rating: 120/240 volts AC/DC operation, 16.7/8.3 amps, 2000 watts maximum.

Cable: 36" Teflon® and/or silicone-fiberglass leads encased in black fiberglass sleeving. Hi-Temp rubber cable optional.

Safety Screen: Stainless steel, one provided with each section.

Interconnect Bracket: Heavy-duty; multiple sections may be rigidly and securely interconnected along bottom and rear.

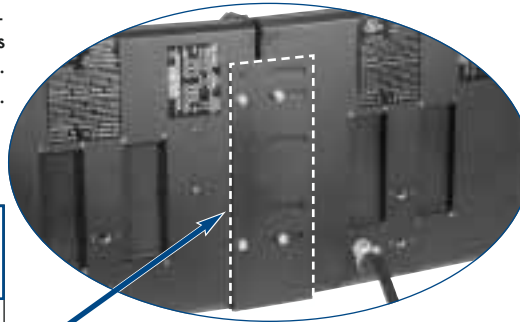
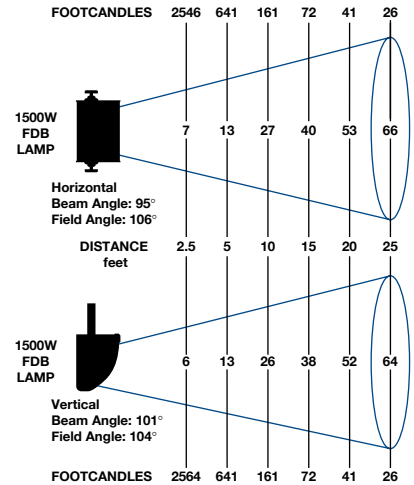
Hanging: Single, two, and three sections: hanging arm(s) or yoke. Straight runs of four or more sections with hanging arms only. **Note:** When more than four sections are hung, no more than two hangerless sections are to be placed between sections with hanging arms.

Finish: Black epoxy Sandtex, electrostatic application.

Weight: Approx. 9½ lbs. (4.3 Kg.)

FC-1 PERFORMANCE CHART WITH FDB LAMP

fixture type	candlepower	beam angle	field angle	efficiency
EconoCyc	16,000 cd	95° × 101°	106° × 104°	72%



ACCESSORIES SUPPLIED WITH LUMINAIRE

SC-36-BK	Safety Cable with Spring Clip
FC-CF	Black hinged Color Frame, 11½" × 10¼"
20-2087	Slide Bracket to Interconnect Units

ADDITIONAL ACCESSORIES

FC-SGR	Stripped Glass Color Frame Retainer
97-0175	Hardware Kit for side-mounting EC-1 to FC-1Y, FC-2Y, FC-3Y, FC-2X2Y, 508, FT and CFT
510	Malleable Iron Pipe Clamp
20-0032	Single Hanging Arm without Pipe Clamp*
508	Hanging Arm with Pipe Clamp, pair*
FT	Floor Trunnion, pair*
CFT	Castered Floor Trunnion, pair*
FC-1Y	Single-Cell Yoke with 510 Pipe Clamp*
FC-2Y	Two-Cell Yoke with 510 Pipe Clamp*
FC-3Y	Three-Cell Yoke with 510 Pipe Clamp*
FC-2X2Y	Two-over-Two Cell Yoke with 510 Pipe Clamp*
35-0017	Adjustable Non-Skid Foot (3 required per EC-1) Tool-Free Spring Latch to Interconnect Units (male and female)

* Hardware kit 97-0175 required for side mounting.

LAMP INFORMATION

watts	volts	ANSI code	manufacturer lamp code	color temp. (°K)	rated life (hrs)	rated lumens	finish
4¹¹/₁₆" (119 mm) M.O.L. Lamps Burn Position: ±4°							
300	120	EHM	QT3/CL	3200	2,000	6,000	Clear
300	130	EHZ	QT3	3000	2,000	5,900	Frost
300	230	--	QT3/CL	2900	2,000	5,600	Clear
350	120	--	QT3/CL/HIR	3000	2,000	10,000	Clear
350	120	--	QT2/4/FDF/HIR	3200	400	13,250	Frost
500	120	FCL	QT3/CL	3200	2,000	11,000	Clear
500	120	FCZ	QT3	3000	2,000	10,800	Frost
500	120	FDF	QT3/4CL	3200	400	13,250	Clear
500	120	FDN	QT3/4	3200	400	12,800	Frost
500	120	--	QT3/CL/6	3000	1,500	10,950	Clear
500	230	DVS	QT3/CL	3000	2,000	10,550	Clear
500	230	--	QT3/CL	2900	2,000	9,900	Clear
525	120	--	QT3/4/EJG/HIR	3200	400	20,600	Frost
650	120	--	QT3/4/FCM/HIR	3200	400	25,200	Frost
750	120	EJG	QT3/4CL	3200	400	20,600	Clear
750	120	EMD	QT3/4	3200	400	19,500	Frost
800	240	EMF	QT3/4	3200	250	21,400	Frost
1000	120	FCM	QT3/4CL	3200	400	28,000	Clear
1000	120	FHM	QT3/4	3200	400	27,300	Frost
1000	220	--	QT3/4CL	3200	300	25,500	Clear
1050	120	ELJ	QT5/CL	3200	75	30,000	Clear
5⁵/₁₆" (143 mm) M.O.L. Lamps Burn Position: ANY							
1000	120	DWT	QT6/CL	3200	2,000	23,400	Clear
1000	120	FER	QT6/CL	3200	500	27,500	Clear
2000	120	FEY	--	3200	400	57,000	Clear
6⁹/₁₆" (167 mm) M.O.L. Lamps Burn Position: ANY							
675	120	--	QT3/4/FFT/HIR	3200	400	26,000	Clear
1000	120	FGV	QT3	3200	400	25,700	Frost
1000	120	FFT	QT3/1CL	3200	400	26,400	Clear
1000	120	--	QT3/1CL	3200	300	27,000	Clear
1500	120	FDB	QT4/4CL	3200	400	41,200	Clear
1500	120	FGT	QT4/4	3200	400	40,200	Frost
2000	120	FFW	--	3200	125	57,000	Clear
2000	120	FFW/FR	--	3200	125	55,000	Frost