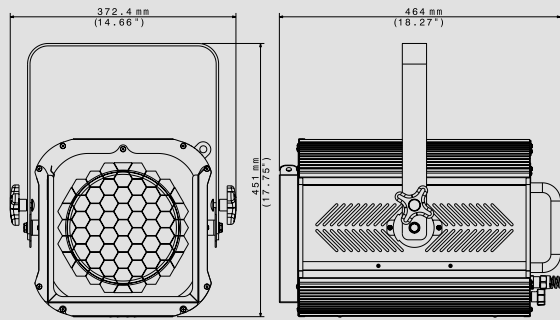


SCENA S

THE PROFESSIONAL
THEATRE LAMP PROJECTOR



SCENA S 2000



TECHNICAL DATA

OPTICAL GROUP

- Ø 200mm PC lens or Fresnel lens
- Focal adjustment with endless screws, giving precision movement on a triple track
- Spherical reflector in polished and treated 99.9% aluminium

LAMP HOLDER

- GY16

POWER SUPPLY

- Range 180-240Vac 50-60 Hz

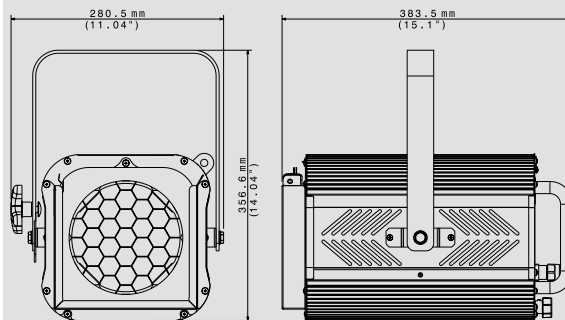
OPERATING TEMPERATURE:

-10° / 40° C

PHYSICAL

- IP20
- Extremely strong housing with aluminium edge profiles.
- Yoke with round flange + clutch system
- Front and rear safety hooks
- Easy lens access for dismantling and cleaning
- Weight: 7.5 Kg (16.5 lbs)
- Finishing: Black

SCENA S 650/1000



TECHNICAL DATA

OPTICAL GROUP

- Ø 150mm PC lens or Fresnel lens
- Focal adjustment with endless screws, giving precision movement on a triple track
- Spherical reflector in polished and treated 99.9% aluminium

LAMP HOLDER

- GX9.5

POWER SUPPLY

- Range 180-240Vac 50-60 Hz

OPERATING TEMPERATURE:

-10° / 40° C

PHYSICAL

- IP20
- Extremely strong housing with aluminium edge profiles.
- Yoke with round flange + clutch system
- Front and rear safety hooks
- Easy lens access for dismantling and cleaning
- Weight: 6 kg (13.2 lbs)
- Finishing: Black



FEATURES



OPTIONALS

CERTIFICATIONS



CODES

SCENA S 2000

FR - LENS FRESNEL - 03.TS013.F
PC - LENS ANTIHALO - 03.TS013.A

SCENA S 650/1000

FR - LENS FRESNEL - 03.TS012.F
PC - LENS ANTIHALO - 03.TS012.A

PHOTOMETRIC DATA

| | SCENA S 2000 PC | mt 5 ft 16.40 | mt 10 ft 32.81 | mt 15 ft 49.21 | mt 20 ft 65.62 | mt 25 ft 82.02 |
|-----------------------|--------------------------|--------------------------|---------------------------|---------------------------|---------------------------|---------------------------|
| BEAM ANGLE 9° | lux center (lx) | 11200 | 2800 | 1244 | 700 | 448 |
| | foot candles (fc) | 1040,89 | 260,22 | 115,65 | 65,06 | 41,46 |
| | diameter (cm) | 0,79 | 1,57 | 2,36 | 3,15 | 3,94 |
| | diameter (ft) | 2.58 | 5.16 | 7.75 | 10.33 | 12.91 |
| BEAM ANGLE 50° | lux center (lx) | 910 | 228 | 101 | 57 | 36 |
| | foot candles (fc) | 84,57 | 21,14 | 9,40 | 5,29 | 3,38 |
| | diameter (cm) | 4,66 | 9,33 | 13,99 | 18,65 | 23,32 |
| | diameter (ft) | 15.30 | 30.60 | 45.90 | 61.19 | 76.49 |

| | SCENA S 2000 FR | mt 5 ft 16.40 | mt 10 ft 32.81 | mt 15 ft 49.21 | mt 20 ft 65.62 | mt 25 ft 82.02 |
|-----------------------|--------------------------|--------------------------|---------------------------|---------------------------|---------------------------|---------------------------|
| BEAM ANGLE 10° | lux center (lx) | 7600 | 1900 | 844 | 475 | 304 |
| | foot candles (fc) | 706,32 | 176,58 | 78,48 | 44,14 | 28,25 |
| | diameter (cm) | 0,87 | 1,75 | 2,62 | 3,50 | 4,37 |
| | diameter (ft) | 2.87 | 5.74 | 8.61 | 11.48 | 14.35 |
| BEAM ANGLE 55° | lux center (lx) | 800 | 200 | 89 | 50 | 32 |
| | foot candles (fc) | 74,35 | 18,59 | 8,26 | 4,65 | 2,97 |
| | diameter (cm) | 5,21 | 10,41 | 15,62 | 20,82 | 26,03 |
| | diameter (ft) | 17.08 | 34.16 | 51.24 | 68.31 | 85.39 |

PHOTOMETRIC DATA

| | SCENA S 1000 PC | mt 5 ft 16.40 | mt 10 ft 32.81 | mt 15 ft 49.21 | mt 20 ft 65.62 | mt 25 ft 82.02 |
|-----------------------|--------------------------|--------------------------|---------------------------|---------------------------|---------------------------|---------------------------|
| BEAM ANGLE 10° | lux center (lx) | 5250 | 1313 | 583 | 328 | 210 |
| | foot candles (fc) | 487,92 | 121,98 | 54,21 | 30,49 | 19,52 |
| | diameter (cm) | 0,87 | 1,75 | 2,62 | 3,50 | 4,37 |
| | diameter (ft) | 2.87 | 5.74 | 8.61 | 11.48 | 14.35 |
| BEAM ANGLE 64° | lux center (lx) | 390 | 98 | 43 | 24 | 16 |
| | foot candles (fc) | 36,25 | 9,06 | 4,03 | 2,27 | 1,45 |
| | diameter (cm) | 6,25 | 12,50 | 18,75 | 24,99 | 31,24 |
| | diameter (ft) | 20.50 | 41.00 | 61.50 | 82.00 | 102.50 |

| | SCENA S 1000 FR | mt 5 ft 16.40 | mt 10 ft 32.81 | mt 15 ft 49.21 | mt 20 ft 65.62 | mt 25 ft 82.02 |
|-----------------------|--------------------------|--------------------------|---------------------------|---------------------------|---------------------------|---------------------------|
| BEAM ANGLE 13° | lux center (lx) | 4660 | 1165 | 518 | 291 | 186 |
| | foot candles (fc) | 433,09 | 108,27 | 48,12 | 27,07 | 17,32 |
| | diameter (cm) | 1,14 | 2,28 | 3,42 | 4,56 | 5,70 |
| | diameter (ft) | 3.74 | 7.48 | 11.21 | 14.95 | 18.69 |
| BEAM ANGLE 56° | lux center (lx) | 500 | 125 | 56 | 31 | 20 |
| | foot candles (fc) | 46,47 | 11,62 | 5,16 | 2,90 | 1,86 |
| | diameter (cm) | 5,32 | 10,63 | 15,95 | 21,27 | 26,59 |
| | diameter (ft) | 17.44 | 34.89 | 52.33 | 69.78 | 87.22 |

ACCESSORIES INCLUDED

- 1 x Filterframe Black finishing - already mounted on the unit

ACCESSORIES ON REQUEST

- G60 "C" Clamp max. 50kg (code 0521A004)
- G50 "C" Clamp max. 10kg (code 0521A012)
- Floor Stand max10kg (code 0521A013)
- Safety cable - 3 x 600 mm - max. capacity load 30 Kg (code 0521A010)

ONLY FOR SCENA S 2000

- Lamp 2000W GY16 CP72 (code 0505A014)
- Barndoor Black (code 03.TBD03)

ONLY FOR SCENA S 650/1000

- Lamp 1000W GX9,5 CP70 (code 0505A042)
- Lamp 650W GX9,5 CP23 (code 0505A007)
- Barndoor Black (code 03.TBD04)